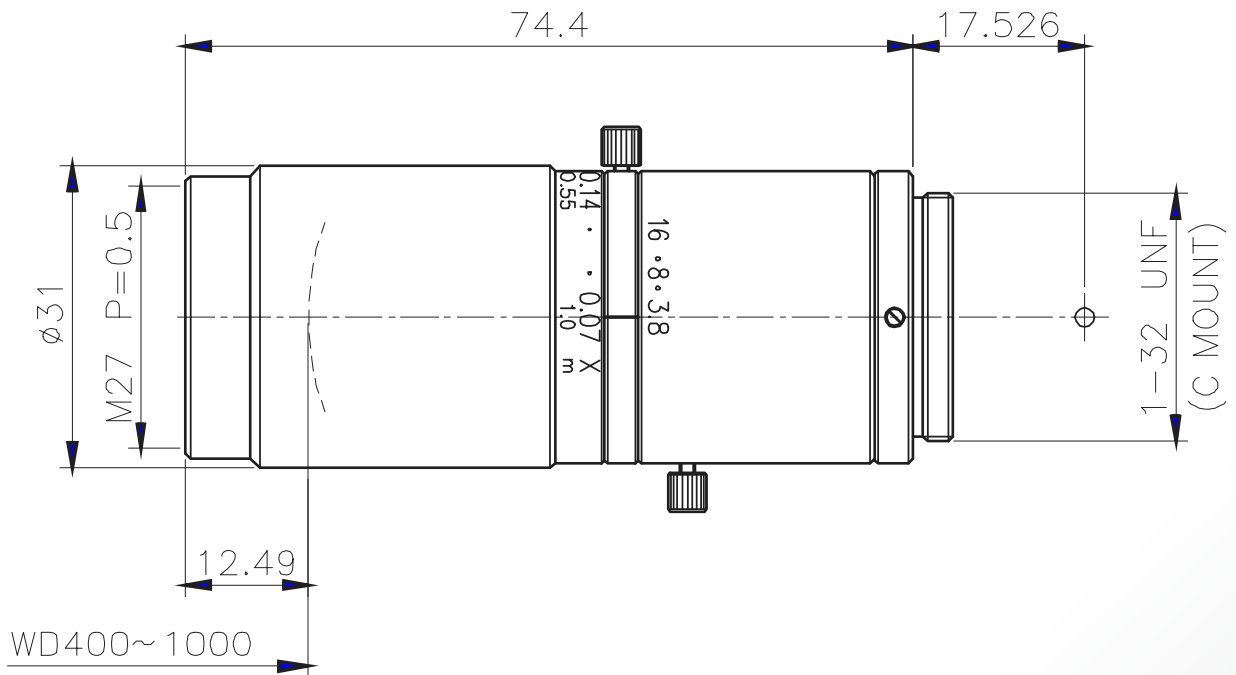


# CMFA7538ND



The C-Mount lens Lensagon CMFA7538ND is suitable for common sensors up to 1 megapixel with an image format of 2/3 inch.

## Technical Data

Mount	C-Mount
Sensor	2/3 inch
Focal Length	75 mm
Aperture	3.8
MOD	0.4 m
max. WD	1 mm
Angle of View	D:8.39° H:6.81° V:5.11°
Megapixel	1-2 MP
IR Correction	No
IR Cut Filter	No
TV Distortion	-0.01 %
Image Circle	11 mm
Weight	97.3 g
Iris	manual-lock
Focus	manual-lock
Filter	M43 P=0.75
Typ	Standard



**1** Megapixel