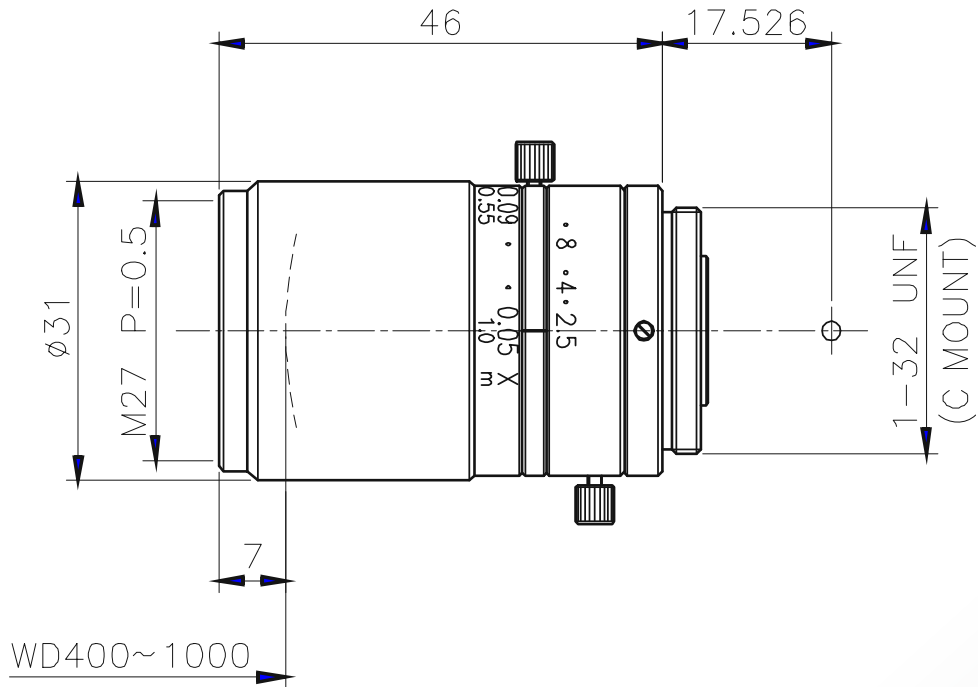


CMFA5025ND



The C-Mount lens Lensagon CMFA5025ND is suitable for common sensors up to 1 megapixel with an image format of 2/3 inch.

Technical Data

Mount	C-Mount
Sensor	2/3 inch
Focal Length	50 mm
Aperture	2.5
MOD	0.4 m
max. WD	1 mm
Angle of View	D:12.55° H:10.38° V:7.82°
Megapixel	1-2 MP
IR Correction	No
IR Cut Filter	No
TV Distortion	0.03 %
Image Circle	11 mm
Weight	77 g
Iris	manual-lock
Focus	manual-lock
Filter	M27 P=0.5
Typ	Standard



1

Megapixel