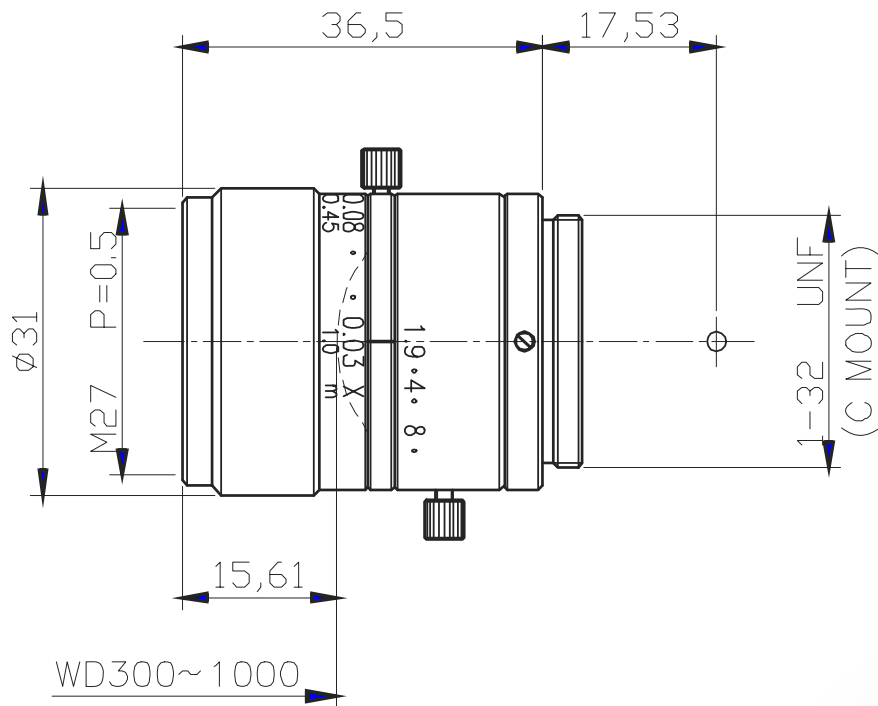


CMFA3519ND



The C-Mount lens Lensagon CMFA3519ND is suitable for common sensors up to 1 megapixel with an image format of 2/3 inch. It is characterized by a particularly high light intensity.

Technical Data

| | |
|---------------|----------------------------|
| Mount | C-Mount |
| Sensor | 2/3 inch |
| Focal Length | 35 mm |
| Aperture | 1.9 |
| MOD | 0.3 m |
| max. WD | 1 mm |
| Angle of View | D:17.86° H:14.32° V:10.77° |
| Megapixel | 1-2 MP |
| IR Correction | No |
| IR Cut Filter | No |
| TV Distortion | -0.03 % |
| Image Circle | 11 mm |
| Weight | 56.7 g |
| Iris | manual-lock |
| Focus | manual-lock |
| Filter | M27 P=0.5 |
| Typ | Standard |



Light Sensitive

1

Megapixel