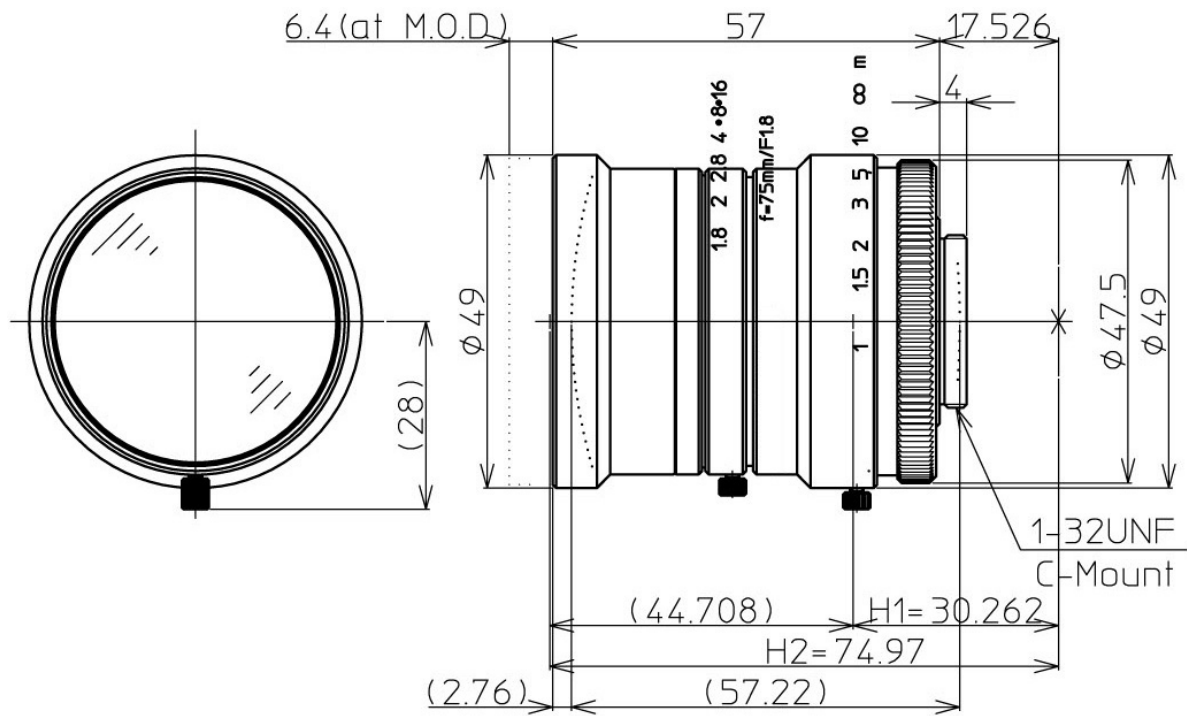


Lensagon CM7518GS



The C-Mount lens Lensagon CM7518GS is suitable for common sensors up to 1 megapixel with an image format of 1 inch. It is characterized by a particularly high light intensity.

Technical Data

Mount	C-Mount
Sensor	1 inch
Focal Length	75 mm
Aperture	1.8
MOD	1 m
Back Focal	14.5 mm
Megapixel	1-2 MP
IR Cut Filter	No
Distortion	-0.2 %
Weight	195 g
Iris	manual-lock
Focus	manual-lock
Filter	M46mm P=0.75
Typ	Standard



Light Sensitive



1 Megapixel