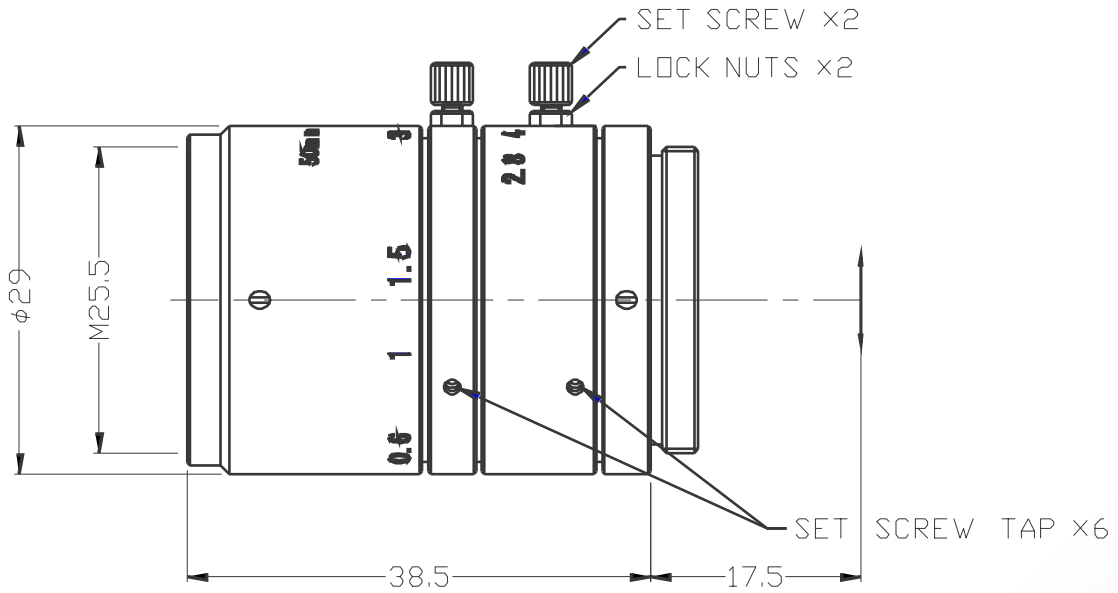


# Lensagon CM5028MJ



The C-Mount lens Lensagon CM5028MJ is suitable for common sensors up to 1 megapixel with an image format of 2/3 inch.

## Technical Data

Mount	C-Mount
Sensor	2/3 inch
Focal Length	50 mm
Aperture	2.8
MOD	0.5 m
Back Focal	21.2 mm
Angle of View	D:12.4° H:9.9° V:7.4°
Megapixel	1-2 MP
IR Cut Filter	No
Distortion	-0.2 %
Weight	55 g
Iris	manual-lock
Focus	manual-lock
Filter	M25.5
Typ	Standard



**1** Megapixel