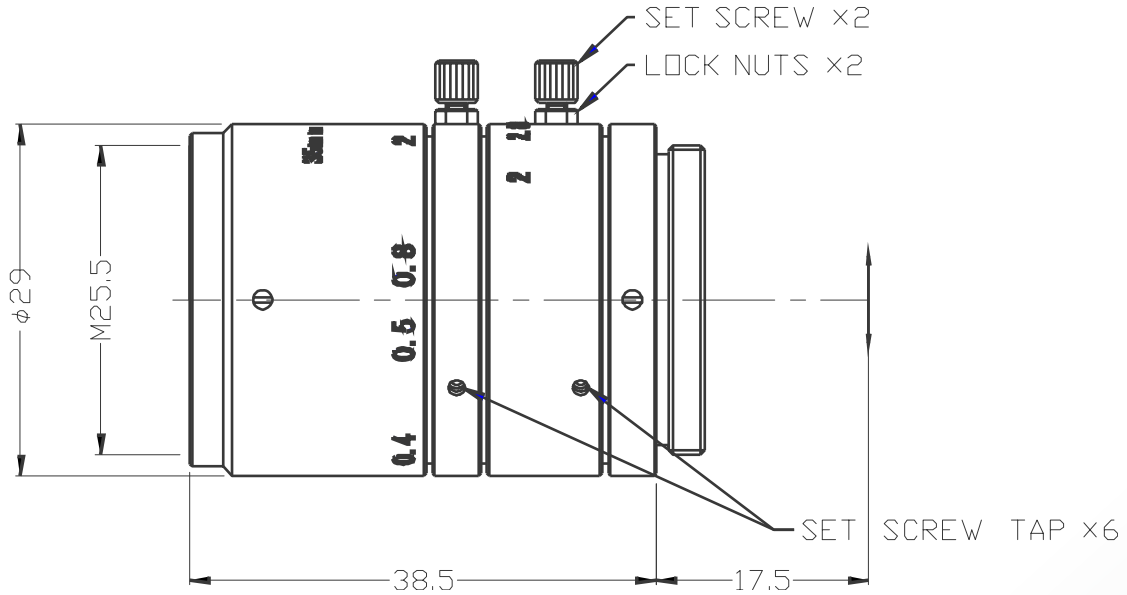


Lensagon CM3520MJ



The C-Mount lens Lensagon CM3520MJ is suitable for common sensors up to 1 megapixel with an image format of 2/3 inch. It is characterized by a particularly high light intensity.

Technical Data

Mount	C-Mount
Sensor	2/3 inch
Focal Length	35 mm
Aperture	2
MOD	0.25 m
Back Focal	18.06 mm
Angle of View	D:17.8° H:14.3° V:10.4°
Megapixel	1-2 MP
IR Cut Filter	No
Optical Distortion	-0.2 %
Weight	55 g
Iris	manual-lock
Focus	manual-lock
Filter	M25.5
Typ	Standard



Light Sensitive



1 Megapixel