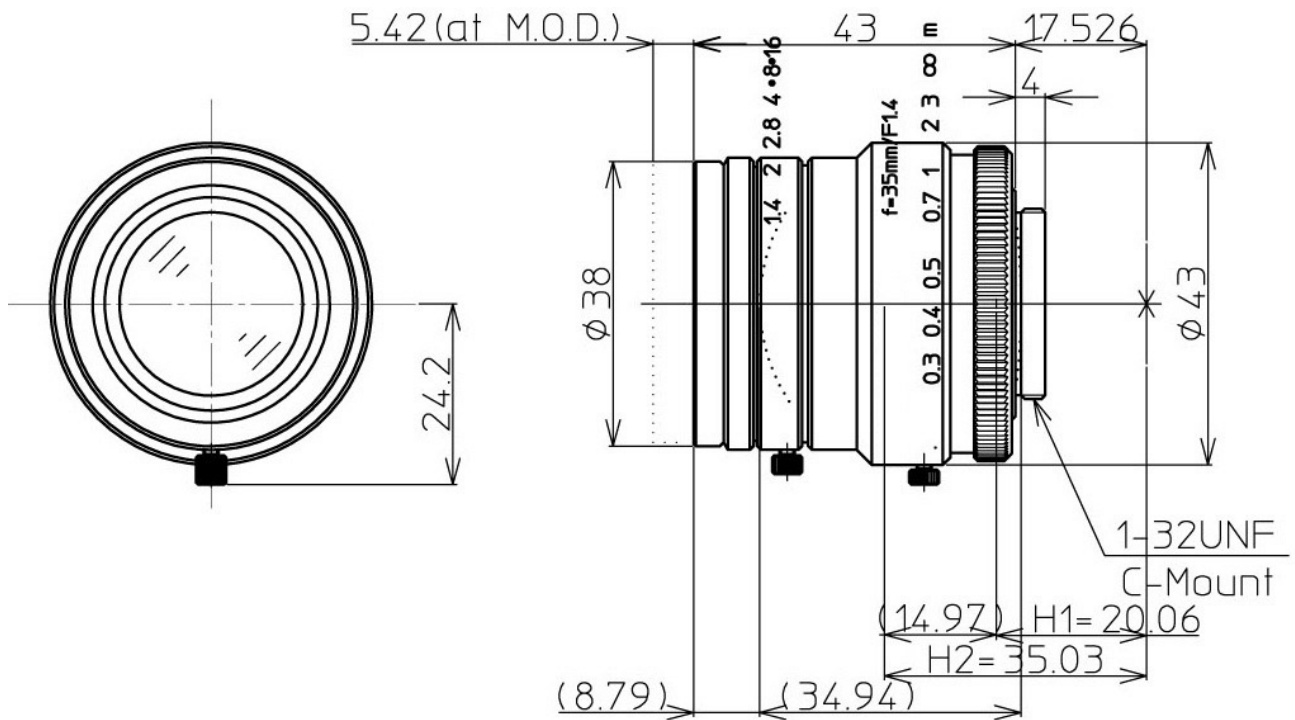


# Lensagon CM3514GS



The C-Mount lens Lensagon CM3514GS is suitable for common sensors up to 1 megapixel with an image format of 1 inch. It is characterized by a particularly high light intensity.

## Technical Data

Mount	C-Mount
Sensor	1 inch
Focal Length	35 mm
Aperture	1.4
MOD	0.3 m
Back Focal	16.8 mm
Angle of View	D:26.1° H:20.9° V:15.8°
Megapixel	1-2 MP
IR Cut Filter	No
Weight	135 g
Iris	manual-lock
Focus	manual-lock
Filter	M35.5 x P=0.5mm
Typ	Standard



Light Sensitive



1 Megapixel