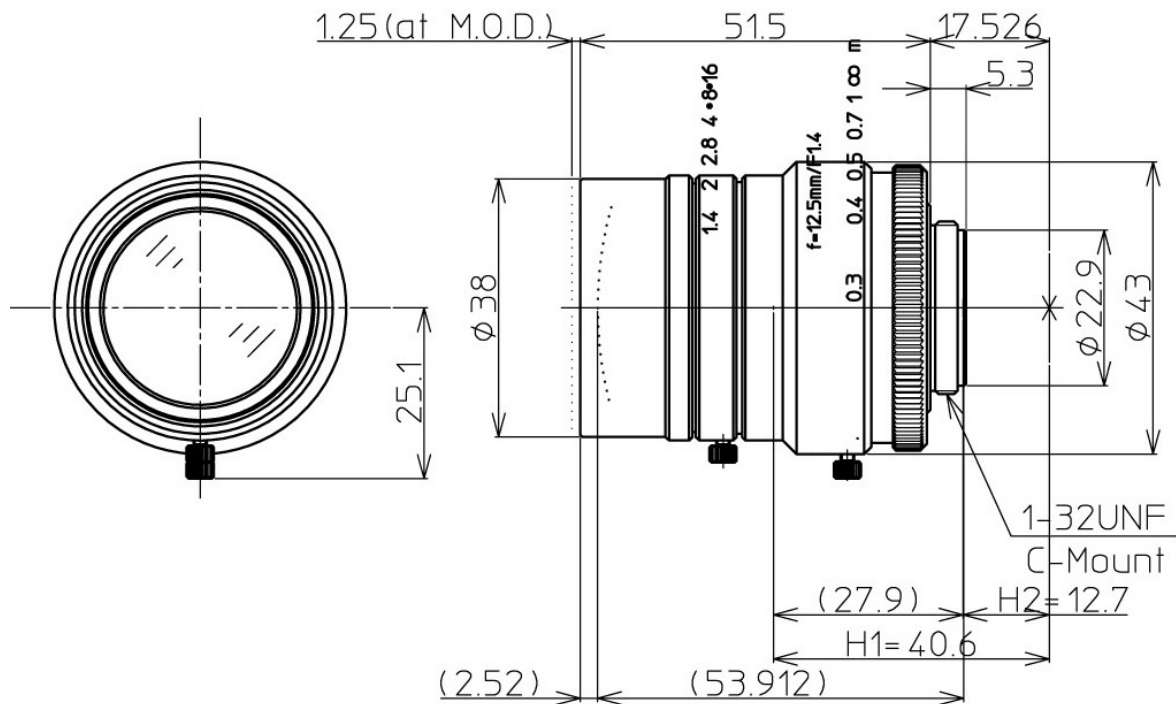


Lensagon CM1214GS



The C-Mount lens Lensagon CM1214GS is suitable for common sensors up to 1 megapixel with an image format of 1 inch. It is characterized by a particularly high light intensity.

Technical Data

Mount	C-Mount
Sensor	1 inch
Focal Length	12 mm
Aperture	1.4
MOD	0.3 m
Back Focal	12.6 mm
Angle of View	D:67.6° H:55.6° V:42.5°
Megapixel	1-2 MP
IR Cut Filter	No
TV Distortion	-1.58 %
Weight	160 g
Iris	manual-lock
Focus	manual-lock
Filter	M35.5 x P=0.5
Typ	Standard



Light Sensitive



1 Megapixel