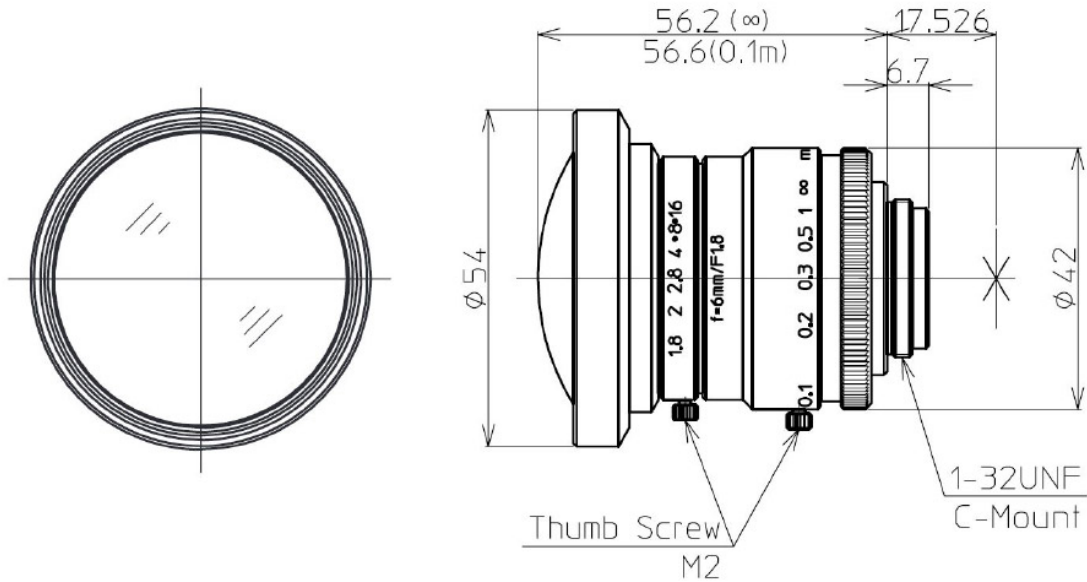


Lensagon CM0618GS



The C-Mount lens Lensagon CM0618GS is suitable for common sensors up to 1 megapixel with an image format of 1 inch. It is characterized by a particularly high light intensity.

Technical Data

Mount	C-Mount
Sensor	1 inch
Focal Length	6 mm
Aperture	1.8
MOD	0.1 m
Back Focal	11.1 mm
Angle of View	D:108.4° H:96.8° V:79.4°
Megapixel	1-2 MP
IR Cut Filter	No
TV Distortion	-0.2 %
Weight	215 g
Iris	manual-lock
Focus	manual-lock
Typ	Standard



Light Sensitive



1 Megapixel

