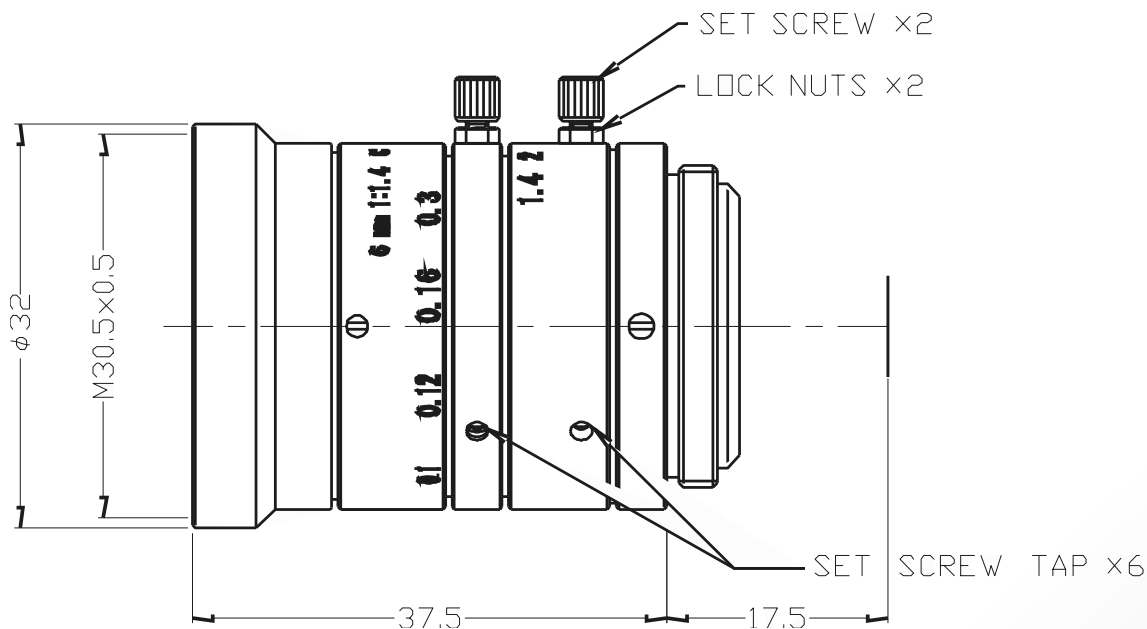


Lensagon CM0614MJ



The C-Mount lens Lensagon CM0614MJ is suitable for common sensors up to 1.3 megapixel with an image format of 1/2 inch. It is characterized by a particularly high light intensity.

Technical Data

Mount	C-Mount
Sensor	1/2 inch
Focal Length	6 mm
Aperture	1.4
MOD	0.2 m
Back Focal	12.32 mm
Angle of View	D:69° H:57.4° V:44.3°
Megapixel	1.3 MP
IR Cut Filter	No
Optical Distortion	-0.96 %
Weight	60.9 g
Iris	manual-lock
Focus	manual-lock
Filter	M30.5 P=0.5
Typ	Standard



Light Sensitive



Megapixel