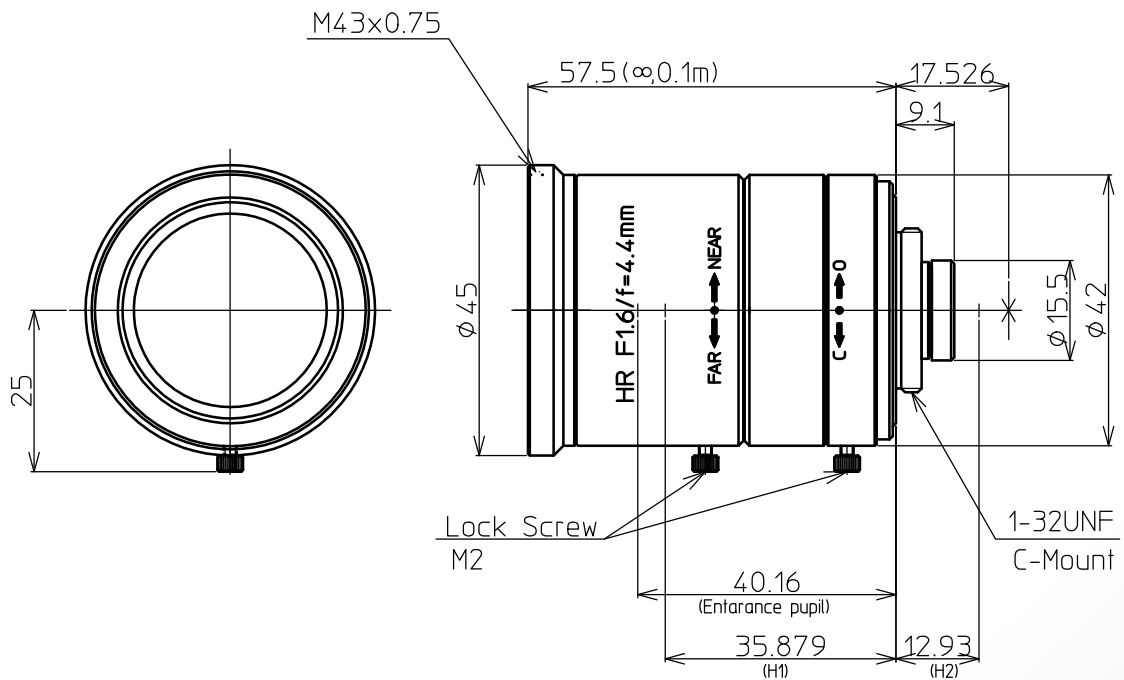


# CM0416S118ND



The C-Mount lens Lensagon CM0416S118ND is suitable for common sensors up to 1 megapixel with an image format of 1/1.8 inch. It is characterized by a particularly high light intensity.

## Technical Data

Mount	C-Mount
Sensor	1/1.8 - 1/2 inch Sensor
Focal Length	4.4 mm
max. Focal Length	11 mm
Aperture	1.6
MOD	0.1 m
Back Focal	8.75 mm
Angle of View	D:89.4° H:76.6° V:61.2°
Megapixel	1-2 MP
IR Cut Filter	No
TV Distortion	-0.2 %
Weight	150 g
Iris	manual-lock
Focus	manual-lock
Filter	M43 x P=0.75mm
Typ	Standard



Light Sensitive



1 Megapixel