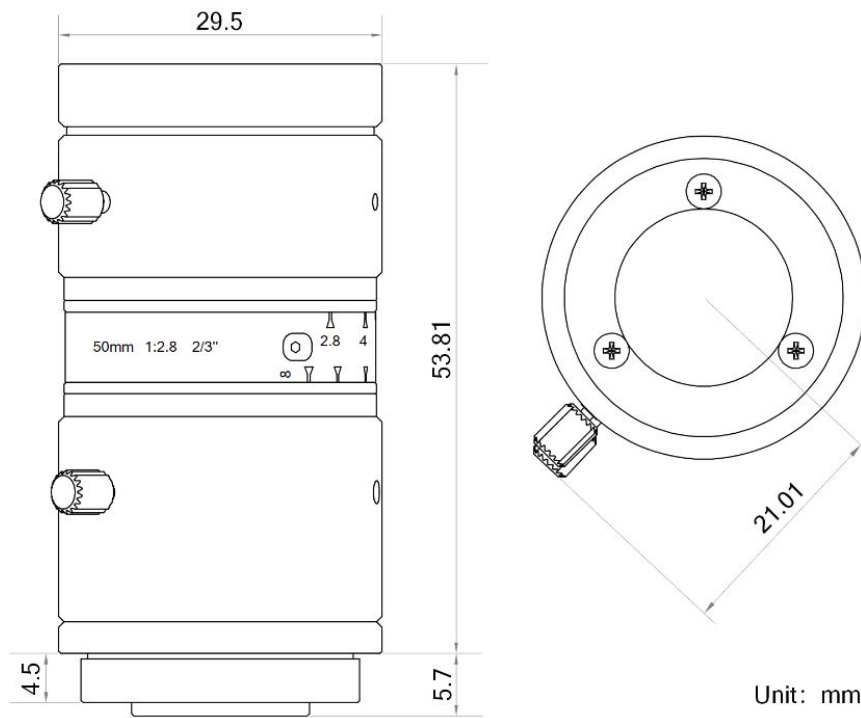


# CK8M5028S23



The C-Mount lens Lensagon CK8M5028S23 is suitable for current sensors up to 8 megapixel with an image format of 2/3 inch.

## Technical Data

Mount	C-Mount
Sensor	2/3 inch
Focal Length	50 mm
Aperture	2.8
MOD	0.4 m
Angle of View	D:11.67° H:8.81° V:7.38°
Megapixel	8 MP
Optical Distortion	0.01 %
Iris	manual-lock
Focus	manual-lock
Typ	Standard

**8** Megapixel

