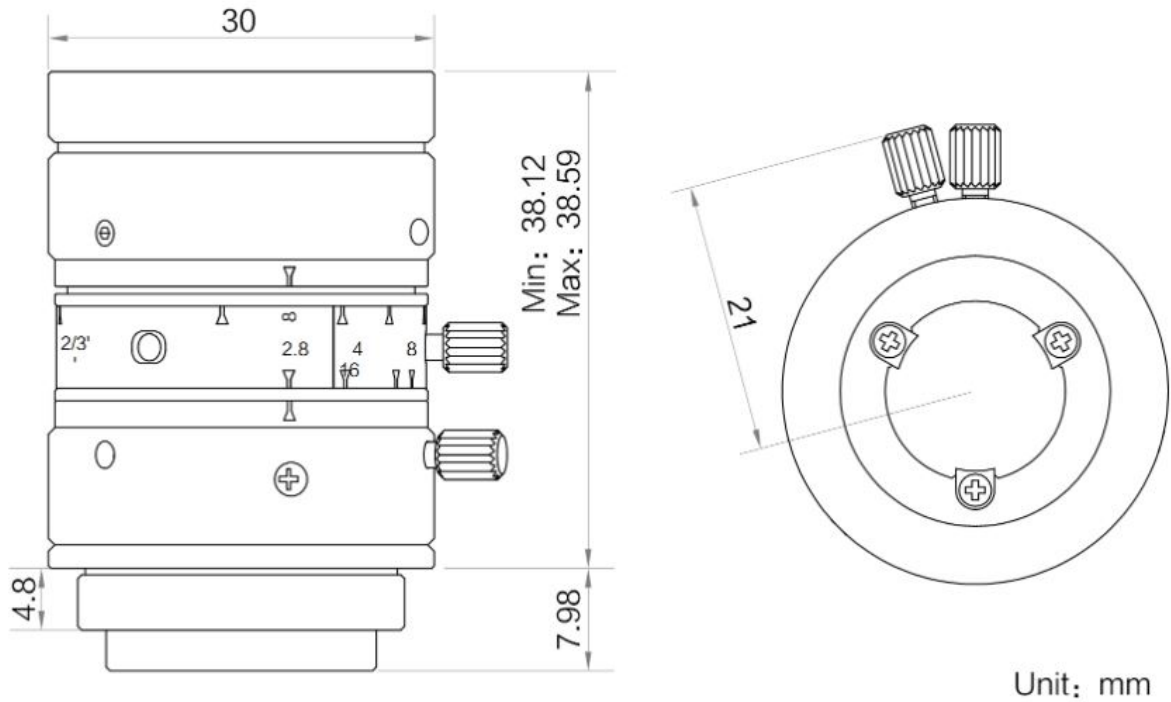


CK8M2528S23



The C-Mount lens Lensagon CK8M2528S23 is suitable for current sensors up to 8 megapixel with an image format of 2/3 inch.

Technical Data

Mount	C-Mount
Sensor	2/3 inch
Focal Length	25 mm
Aperture	2.8
MOD	0.1 m
Angle of View	D:23.23° H:17.78° V:14.91°
Megapixel	8 MP
Optical Distortion	0.01 %
Iris	manual-lock
Focus	manual-lock
Typ	Standard

8 Megapixel

