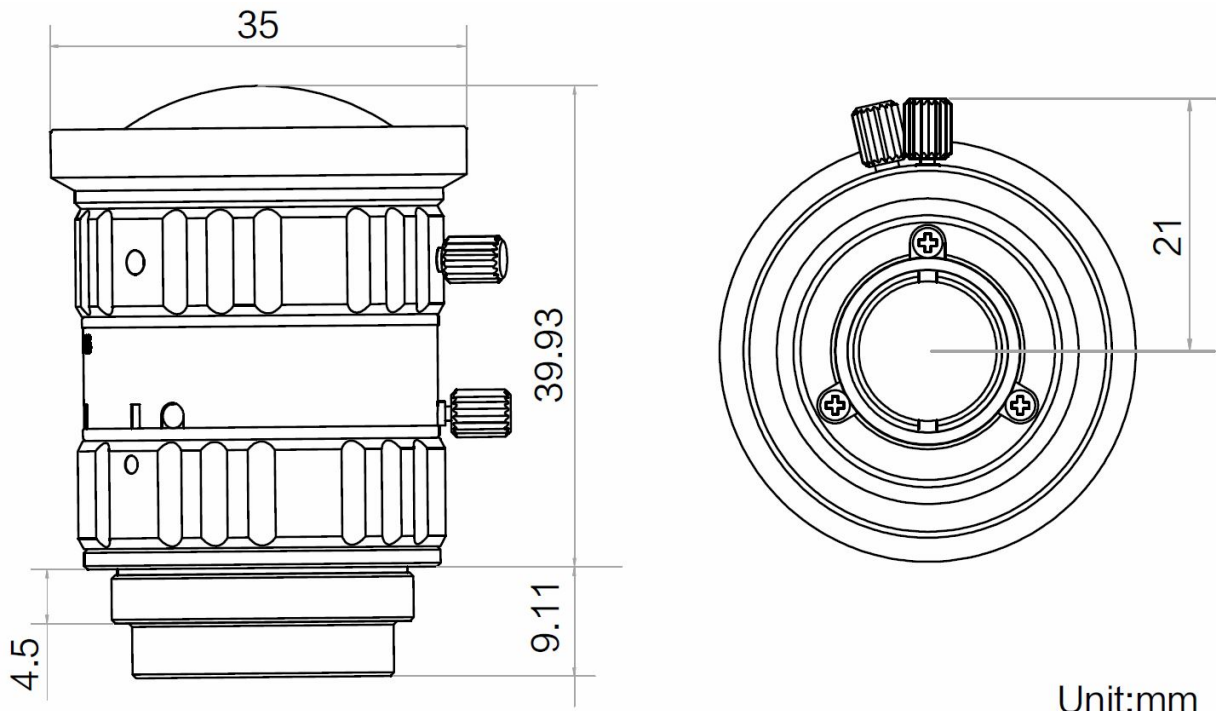


# CK8M0828S23



Unit:mm

The C-Mount lens Lensagon CK8M0828S23 is suitable for current sensors up to 8 megapixel with an image format of 2/3 inch.

Technical Data	
Mount	C-Mount
Sensor	2/3 inch
Focal Length	8 mm
Aperture	2.8
MOD	0.1 m
Angle of View	D:68.458° H:54.966° V:47.062°
Megapixel	8 MP
Optical Distortion	-1.51 %
Weight	80.7 g
Iris	manual-lock
Focus	manual-lock
Typ	Standard

**8** Megapixel

