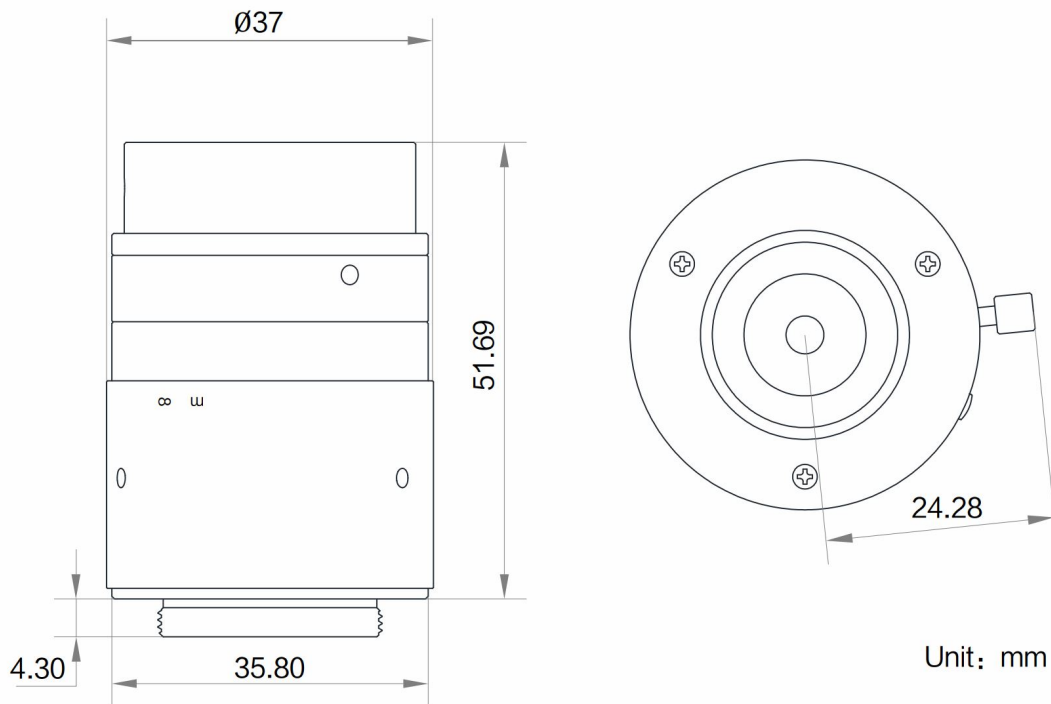


CK6M5028S118V2



The C-Mount lens Lensagon CK6M5028S118V2 is suitable for current sensors up to 6 megapixel with an image format of 1/1.8 inch.

Technical Data

Mount	C-Mount
Sensor	1/1.8 - 1/2 inch Sensor
Focal Length	50 mm
Aperture	2.8
MOD	0.25 m
Angle of View	D:9.72° H:7.84° V:5.24°
Megapixel	6 MP
IR Cut Filter	No
TV Distortion	0.03 %
Image Circle	9 mm
Weight	102 g
Iris	manual-lock
Focus	manual-lock
Filter	M30.5xP0.5
Typ	Standard



6 Megapixel