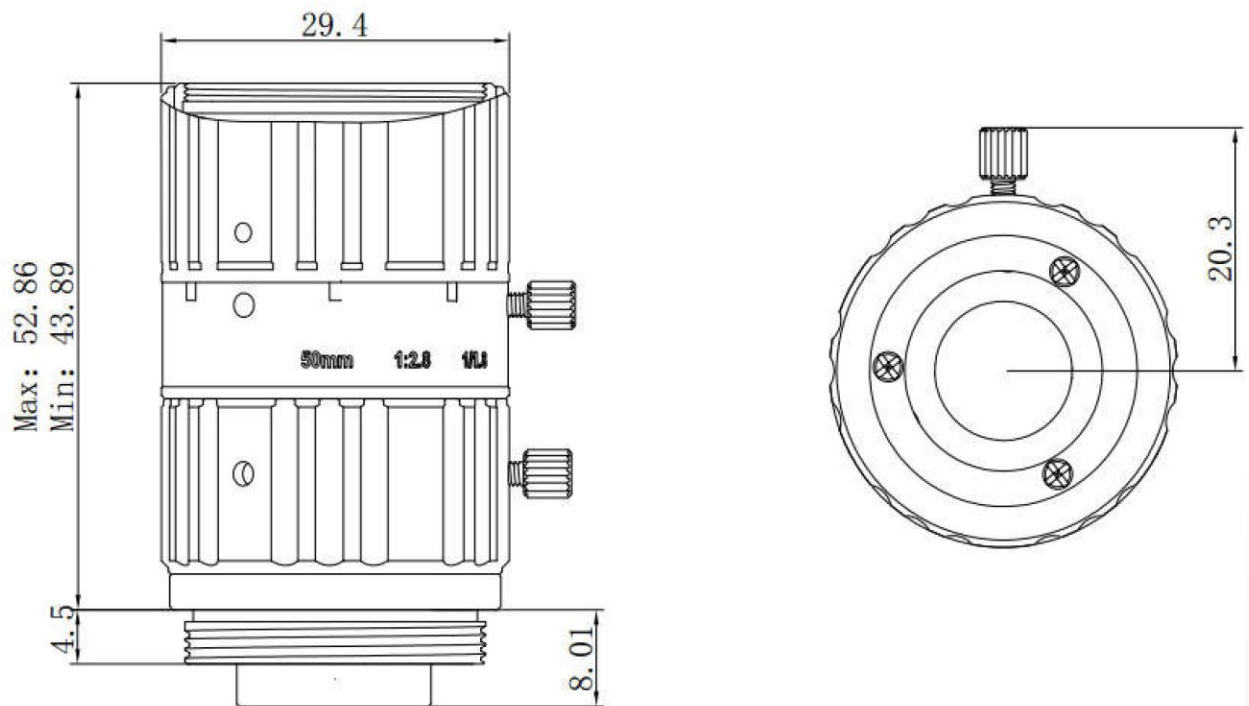


# CK6M5028S118



The C-Mount lens Lensagon CK6M5028S118 is suitable for current sensors up to 6 megapixel with an image format of 1/1.8 inch.

## Technical Data

Mount	C-Mount
Sensor	1/1.8 - 1/2 inch Sensor
Focal Length	50 mm
Aperture	2.8
MOD	0.3 m
Angle of View	D:9.7° H:8° V:5.4°
Megapixel	6 MP
IR Cut Filter	No
Optical Distortion	0.11 %
Image Circle	9 mm
Weight	76.3 g
Iris	manual-lock
Focus	manual-lock
Filter	M25.5 x 0.5
Typ	Standard

**6** Megapixel

