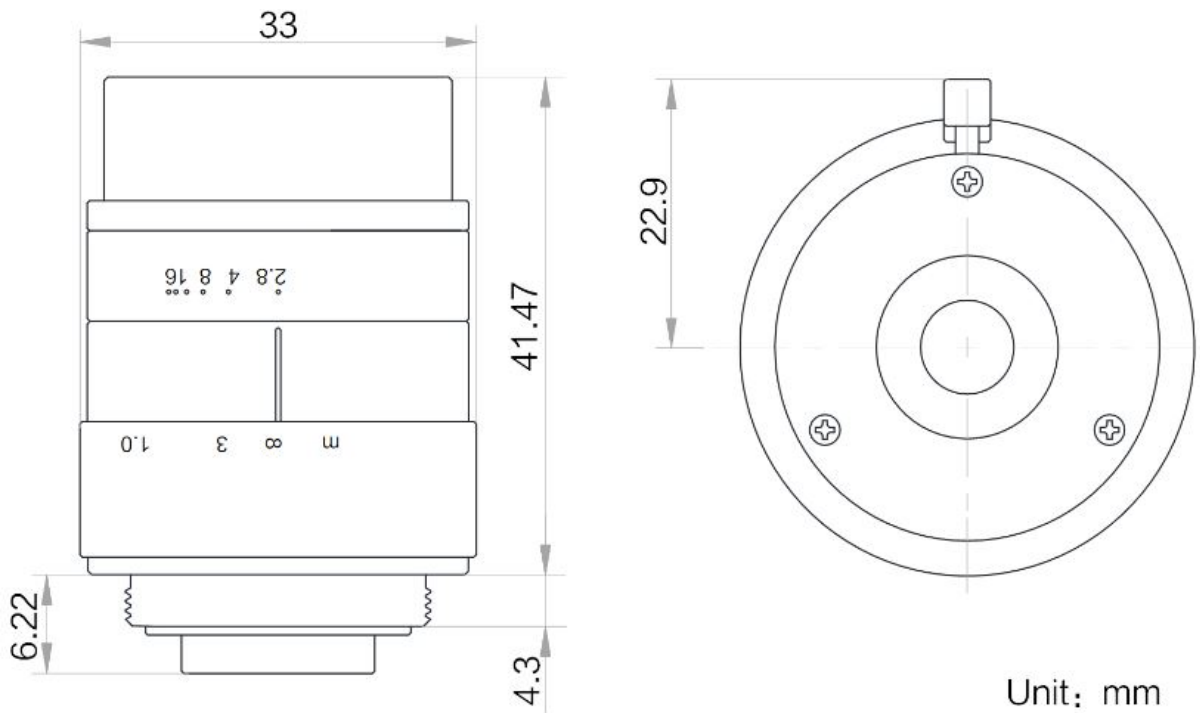


# CK6M4028S118V2



The C-Mount lens Lensagon CK6M4028S118V2 is suitable for current sensors up to 6 megapixel with an image format of 1/1.8 inch.

## Technical Data

Mount	C-Mount
Sensor	1/1.8 - 1/2 inch Sensor
Focal Length	40 mm
Aperture	2.8
MOD	0.25 m
Angle of View	D:12.78° H:10.53° V:7.04°
Megapixel	6 MP
TV Distortion	-0.024 %
Image Circle	9 mm
Weight	67.1 g
Iris	manual-lock
Focus	manual-lock
Typ	Standard

**6** Megapixel

