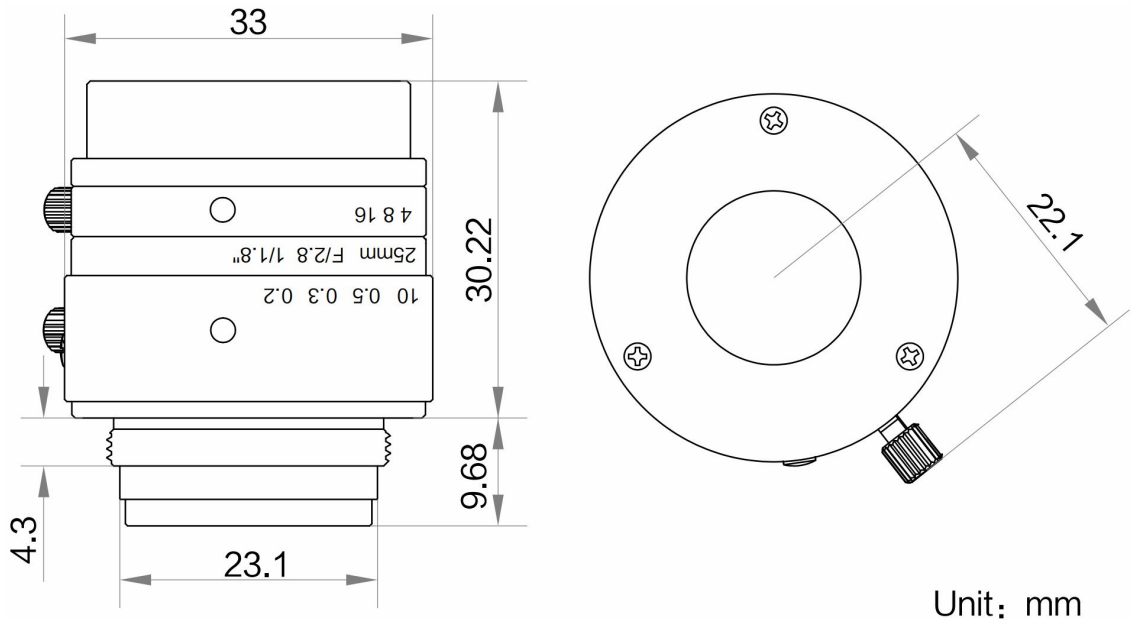


# CK6M2528S118V2



The C-Mount lens Lensagon CK6M2528S118V2 is suitable for current sensors up to 6 megapixel with an image format of 1/1.8 inch.

## Technical Data

Mount	C-Mount
Sensor	1/1.8 - 1/2 inch Sensor
Focal Length	25 mm
Aperture	2.8
MOD	0.2 m
Angle of View	D:20.32° H:16.77° V:11.24°
Megapixel	6 MP
IR Cut Filter	No
TV Distortion	-0.028 %
Image Circle	9 mm
Weight	48.1 g
Iris	manual-lock
Focus	manual-lock
Filter	M27xP0.5

**6** Megapixel

