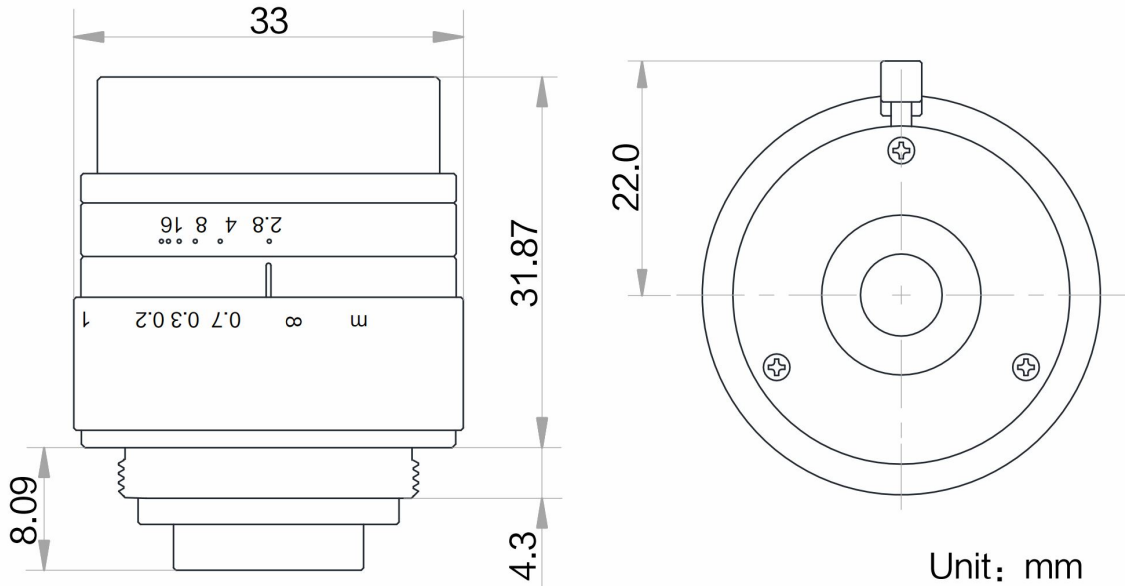


CK6M1628S118V2



Unit: mm



The C-Mount lens Lensagon CK6M1628S118V2 is suitable for current sensors up to 6 megapixel with an image format of 1/1.8 inch.

Technical Data

Mount	C-Mount
Sensor	1/1.8 - 1/2 inch Sensor
Focal Length	16 mm
Aperture	2.8
MOD	0.1 m
Angle of View	D:31.28° H:25.94° V:17.48°
Megapixel	6 MP
IR Cut Filter	No
TV Distortion	-0.018 %
Image Circle	9 mm
Weight	56.1 g
Iris	manual-lock
Focus	manual-lock
Filter	M27 P=0.5



6 Megapixel