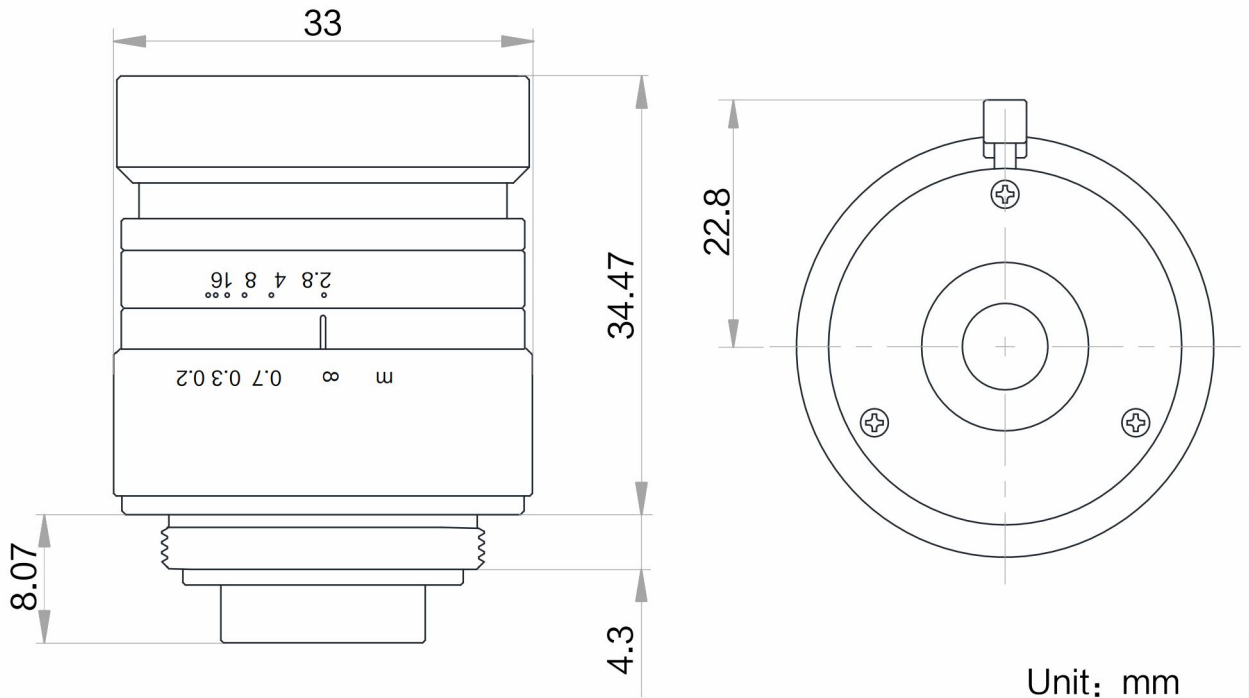


CK6M0828S118V2



The C-Mount lens Lensagon CK6M0828S118V2 is suitable for current sensors up to 6 megapixel with an image format of 1/1.8 inch.

Technical Data

Mount	C-Mount
Sensor	1/1.8 - 1/2 inch Sensor
Focal Length	8 mm
Aperture	2.8
MOD	0.1 m
Angle of View	D:58.5° H:49.46° V:34.19°
Megapixel	6 MP
IR Cut Filter	No
TV Distortion	0.049 %
Image Circle	9 mm
Weight	63.3 g
Iris	manual-lock
Focus	manual-lock
Filter	M37.5xP0.5



6 Megapixel