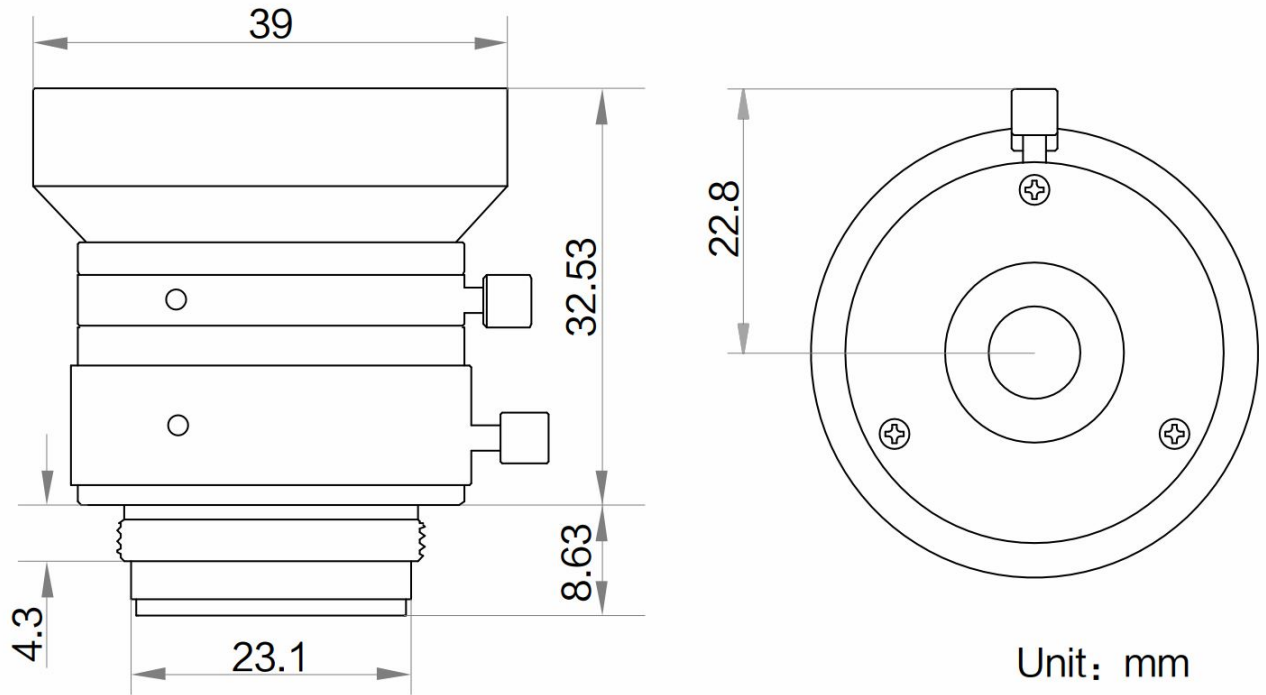


# CK6M0628S118V2



Unit: mm

The C-Mount lens Lensagon CK6M0628S118V2 is suitable for current sensors up to 6 megapixel with an image format of 1/1.8 inch.

## Technical Data

Mount	C-Mount
Sensor	1/1.8 - 1/2 inch Sensor
Focal Length	6 mm
Aperture	2.8
MOD	0.1 m
Angle of View	D:73.49° H:63.11° V:44.59°
Megapixel	6 MP
IR Correction	No
IR Cut Filter	No
Optical Distortion	-0.103 %
Image Circle	9 mm
Weight	65.8 g
Iris	manual-lock
Focus	manual-lock
Filter	M37.5xP0.5
Typ	Standard



**6** Megapixel