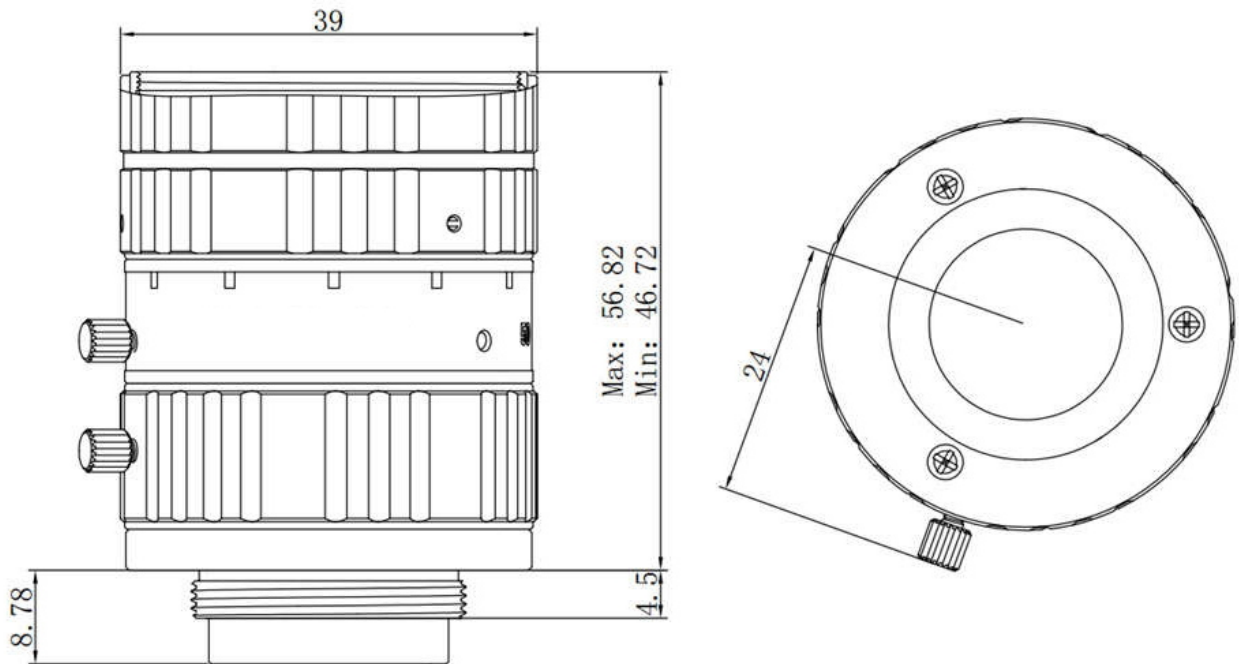


CK12M5028S11



The C-Mount lens Lensagon CK12M5028S11 is suitable for current sensors up to 12.00 megapixel with an image format of 1.1 inch.

Technical Data

Mount	C-Mount
Sensor	1.1 inch
Focal Length	50.00 mm
Aperture	2.80
MOD	0.28 m
Angle of View	D:18.90° H:15.10° V:11.20°
Megapixel	12.00 MP
IR Cut Filter	No
Optical Distortion	-0.05 %
Image Circle	17.60 mm
Weight	138.70 g
Iris	manual-lock
Focus	manual-lock
Filter	M35.5 x 0.5
Typ	Standard

