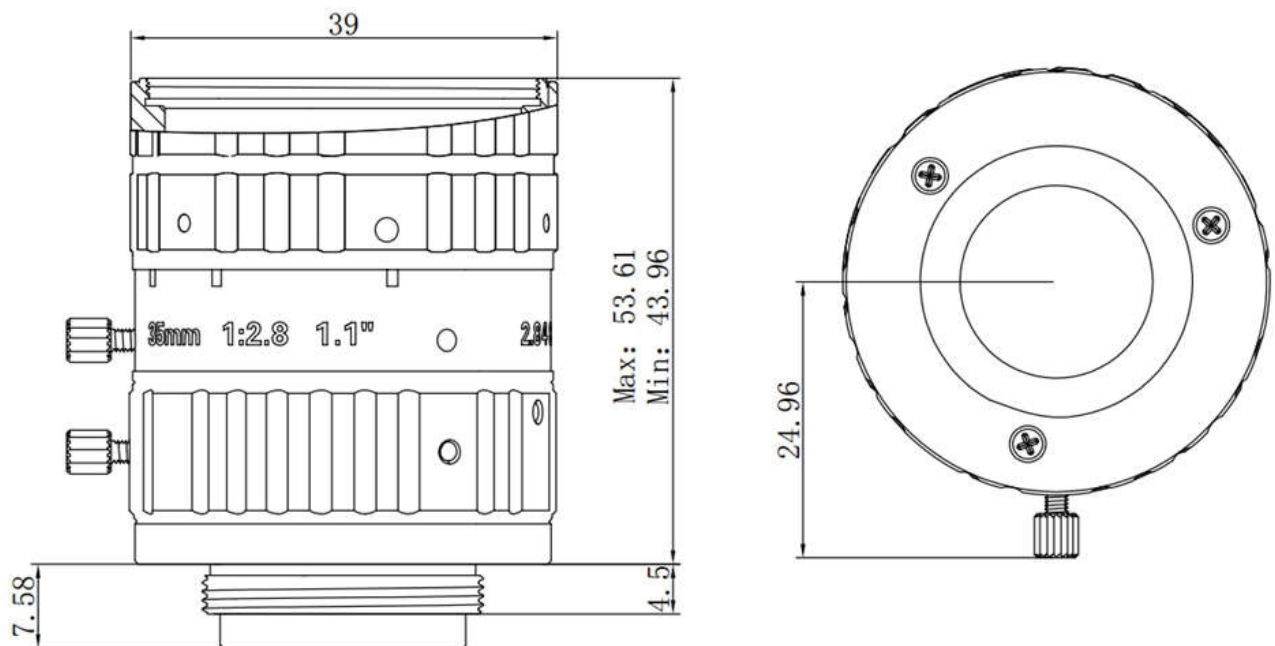


CK12M3528S11



The C-Mount lens Lensagon CK12M3528S11 is suitable for current sensors up to 12 megapixel with an image format of 1.1 inch.

Technical Data

Mount	C-Mount
Sensor	1.1 inch
Focal Length	35 mm
Aperture	2.8
MOD	0.18 m
Angle of View	D:26.7° H:21.4° V:15.9°
Megapixel	12 MP
IR Cut Filter	No
Optical Distortion	-0.21 %
Image Circle	17.6 mm
Weight	125.9 g
Iris	manual-lock
Focus	manual-lock
Filter	M35.5 x 0.5
Typ	Standard



12 Megapixel