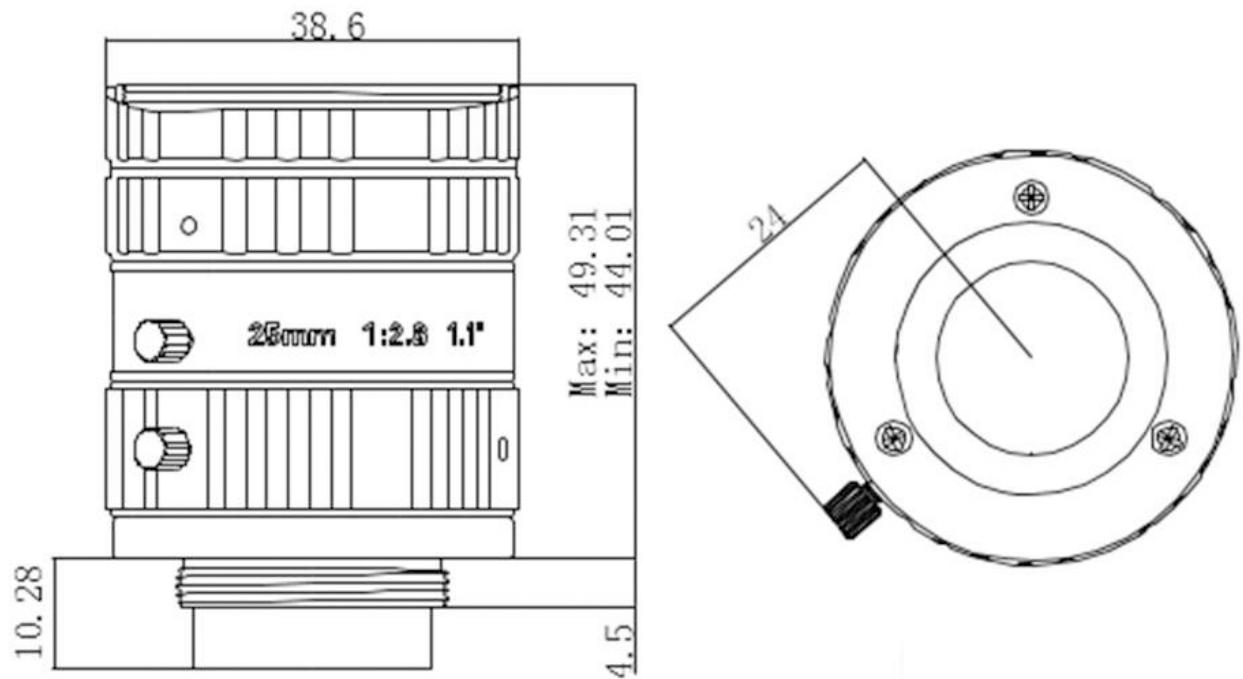


CK12M2528S11



The C-Mount lens Lensagon CK12M2528S11 is suitable for current sensors up to 12 megapixel with an image format of 1.1 inch.

Technical Data

Mount	C-Mount
Sensor	1.1 inch
Focal Length	25 mm
Aperture	2.8
MOD	0.12 m
Angle of View	D:36.7° H:29.6° V:22.1°
Megapixel	12 MP
IR Correction	No
IR Cut Filter	No
Optical Distortion	0.4 %
Image Circle	17.6 mm
Iris	manual-lock
Focus	manual-lock
Filter	M35.5 x 0.5
Typ	Standard



12 Megapixel