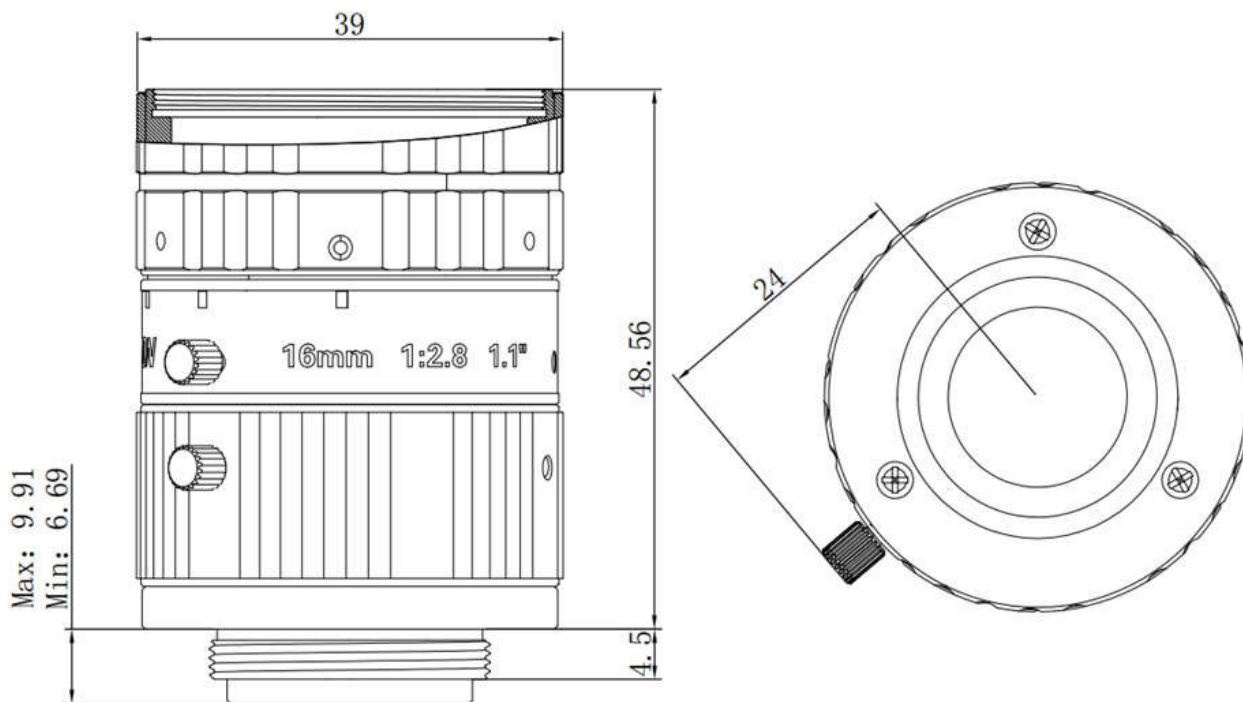


# CK12M1628S11



The C-Mount lens Lensagon CK12M1628S11 is suitable for current sensors up to 12 megapixel with an image format of 1.1 inch.

## Technical Data

Mount	C-Mount
Sensor	1.1 inch
Focal Length	16 mm
Aperture	2.8
MOD	0.08 m
Angle of View	D:54.8° H:44.9° V:33.9°
Megapixel	12 MP
IR Correction	No
IR Cut Filter	No
Optical Distortion	-1.3 %
Image Circle	17.6 mm
Weight	149.4 g
Iris	manual-lock
Focus	manual-lock
Filter	M35.5 x 0.5
Typ	Standard



**12** Megapixel