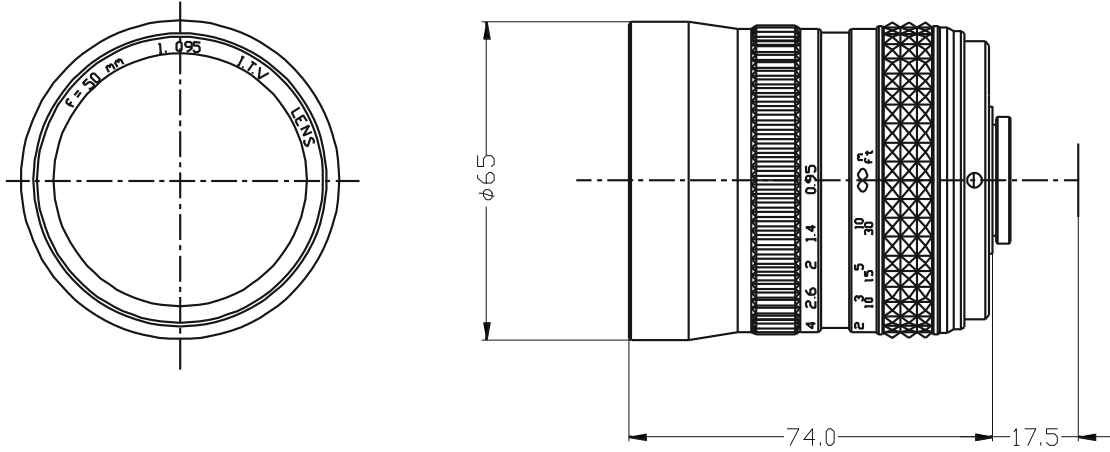


Lensagon CHS50095



The C-Mount lens Lensagon CHS50095 is suitable for common sensors up to 1 megapixel with an image format of 1 inch. It is characterized by a particularly high light intensity.

Technical Data

| | |
|---------------|-----------------------|
| Mount | C-Mount |
| Sensor | 1 inch |
| Focal Length | 50 mm |
| Aperture | 0.95 |
| MOD | 0.3 m |
| Back Focal | 25.62 mm |
| Angle of View | D:18.2° H:14.6° V:11° |
| Megapixel | 1-2 MP |
| IR Cut Filter | No |
| Weight | 462.7 g |
| Iris | manual |
| Focus | manual |
| Filter | M62 P=0.75 |
| Typ | Standard |



Light Sensitive



1 Megapixel

