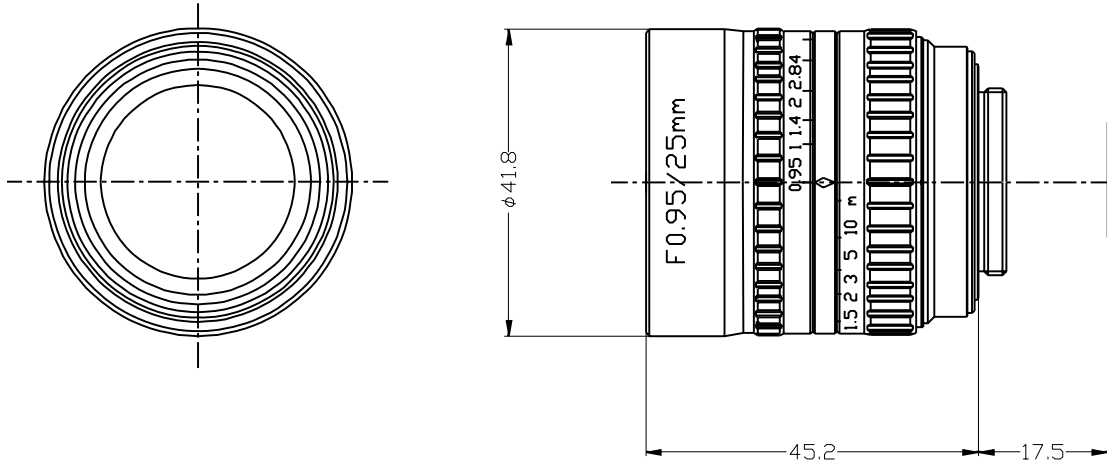


Lensagon CHS25095



The C-Mount lens Lensagon CHS25095 is suitable for common sensors up to 1 megapixel with an image format of 1 inch. It is characterized by a particularly high light intensity.

Technical Data

Mount	C-Mount
Sensor	1 inch
Focal Length	25 mm
Aperture	0.95
Back Focal	13.89 mm
Angle of View	D:35.5° H:28.7° V:21.7°
Megapixel	1-2 MP
IR Cut Filter	No
Weight	118.2 g
Iris	manual
Focus	manual
Filter	M40.5 P=0.5
Typ	Standard



Light Sensitive



1 Megapixel

