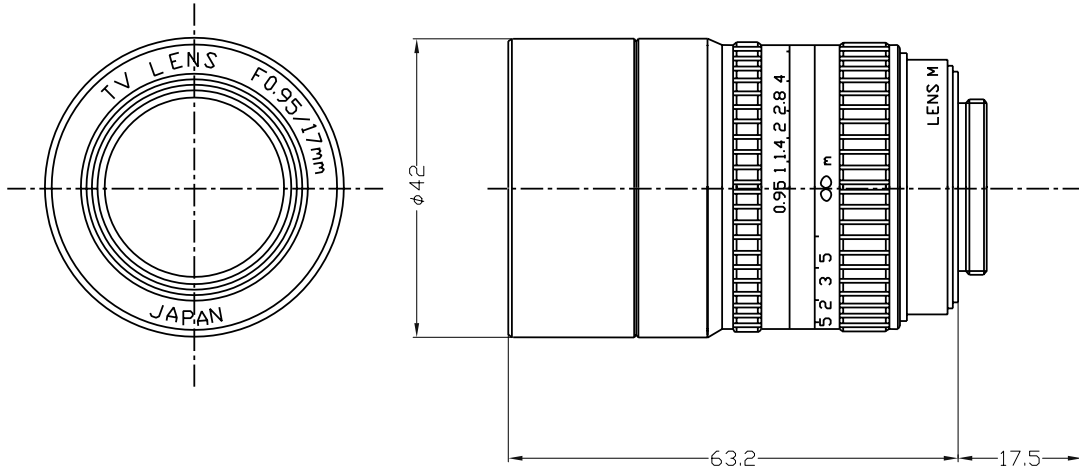


# Lensagon CHS17095



The C-Mount lens Lensagon CHS17095 is suitable for common sensors up to 1 megapixel with an image format of 2/3 inch. It is characterized by a particularly high light intensity.

## Technical Data

Mount	C-Mount
Sensor	2/3 inch
Focal Length	17 mm
Aperture	0.95
Back Focal	13.89 mm
Angle of View	D:35.9° H:29° V:22°
Megapixel	1-2 MP
IR Cut Filter	No
Weight	162.7 g
Iris	manual
Focus	manual
Filter	M40.5 P=0.5
Typ	Standard



Light Sensitive



1 Megapixel

