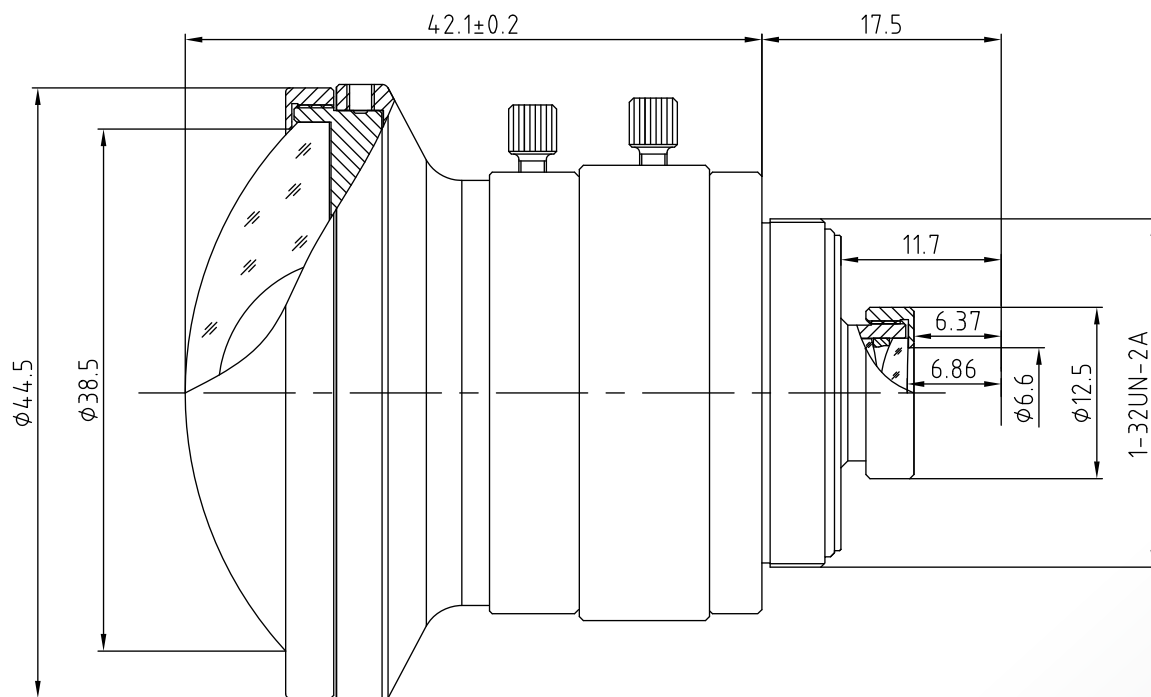


# Lensagon CF5M1414



The Fisheye C-Mount lens Lensagon CF5M1414 is suitable for common sensors up to 5 megapixel with an image format of 1/2 inch. It is characterized by a particularly high light intensity. PLEASE NOTE: Not compatible with adapter ADCTCS!

## Technical Data

Mount	C-Mount
Sensor	1/2 inch
Focal Length	1.4 mm
Aperture	1.4
MOD	0.08 m
Back Focal	6.86 mm
Angle of View	D:182° H:182° V:182°
Megapixel	5 MP
IR Correction	Yes
Distortion	0.25 %
Image Circle	4.8 mm
Weight	116 g
Iris	manual
Focus	manual
Typ	Fisheye



Light Sensitive



5 Megapixel