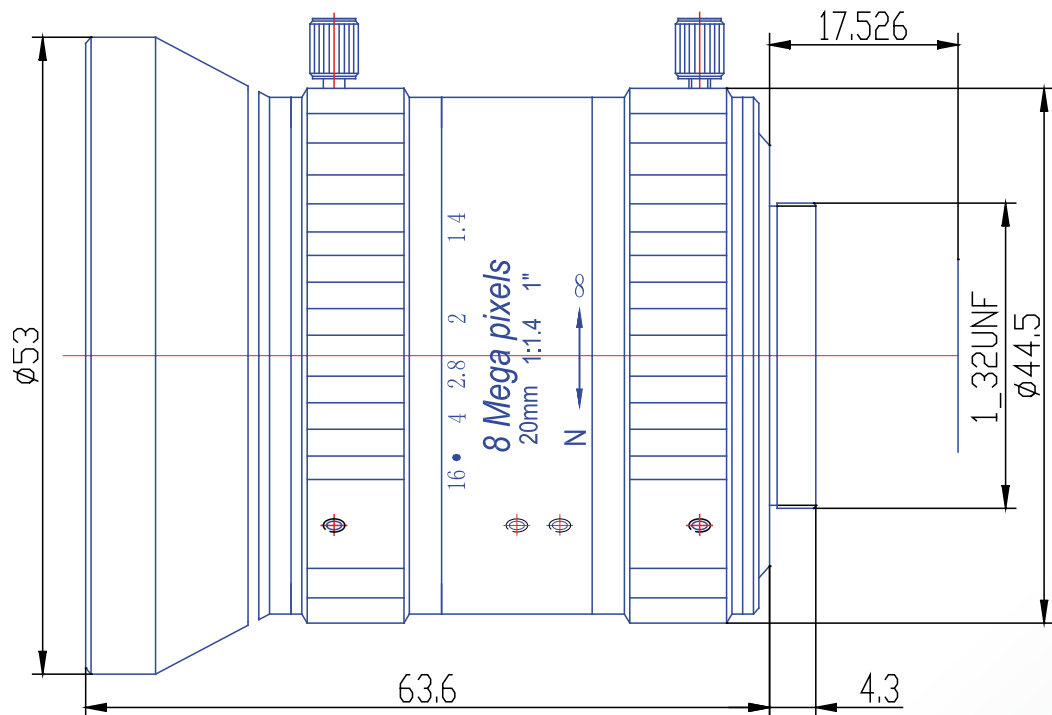


# C8M2014GSV2



The C-Mount lens Lensagon C8M2014GSV2 is suitable for current sensors up to 8 megapixel with an image format of 1 inch. It is characterized by a particularly high light intensity.

## Technical Data

Mount	C-Mount
Sensor	1 inch
Focal Length	20 mm
Aperture	1.4
MOD	0.2 m
Back Focal	20.1 mm
Angle of View	D:44° H:35° V:26.4°
Megapixel	8 MP
IR Cut Filter	No
Optical Distortion	1 %
Weight	156 g
Iris	manual
Focus	manual



Light Sensitive



8 Megapixel

