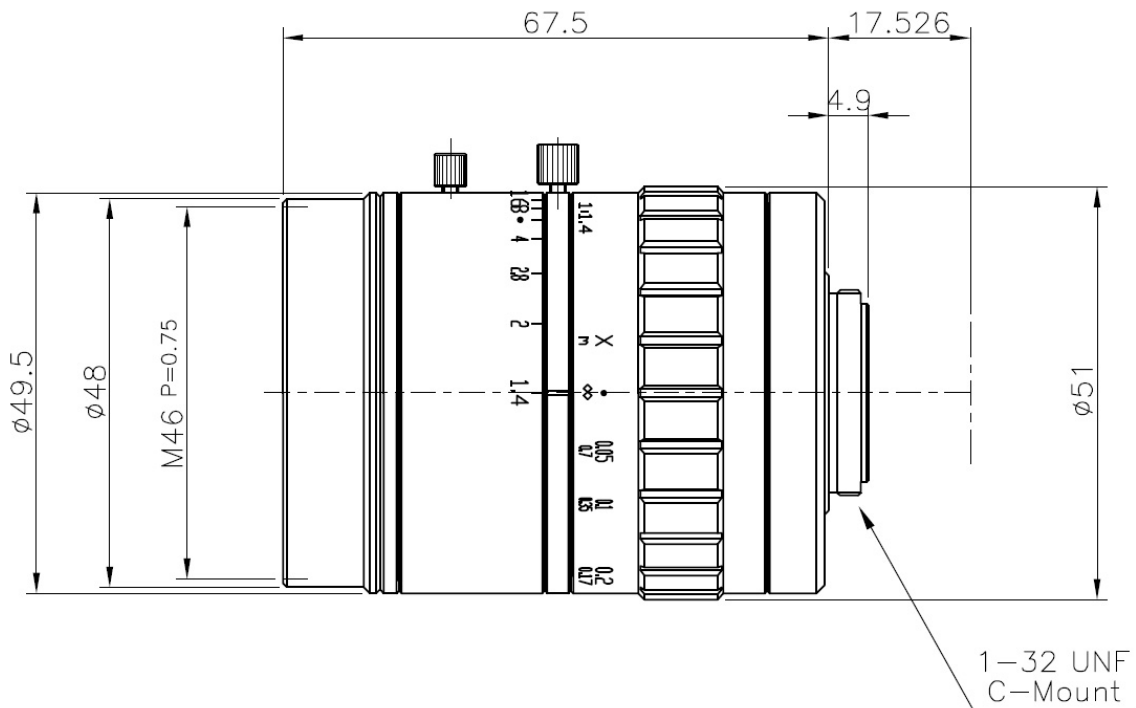


# C5M3514GSV2



The C-Mount lens Lensagon C5M3514GSV2 is suitable for common sensors up to 5 megapixel with an image format of 1.1 inch. It is characterized by a particularly high light intensity.

## Technical Data

Mount	C-Mount
Sensor	1.1 inch
Focal Length	35 mm
Aperture	1.4
MOD	0.11 m
Back Focal	17.526 mm
Angle of View	D:28.23° H:19.3° V:19.3°
Megapixel	5 MP
IR Cut Filter	No
TV Distortion	0.07 %
Image Circle	17.4 mm
Weight	227.6 g
Iris	manual-lock
Focus	manual-lock
Filter	M46 P=0.75
Typ	Standard



Light Sensitive



5 Megapixel