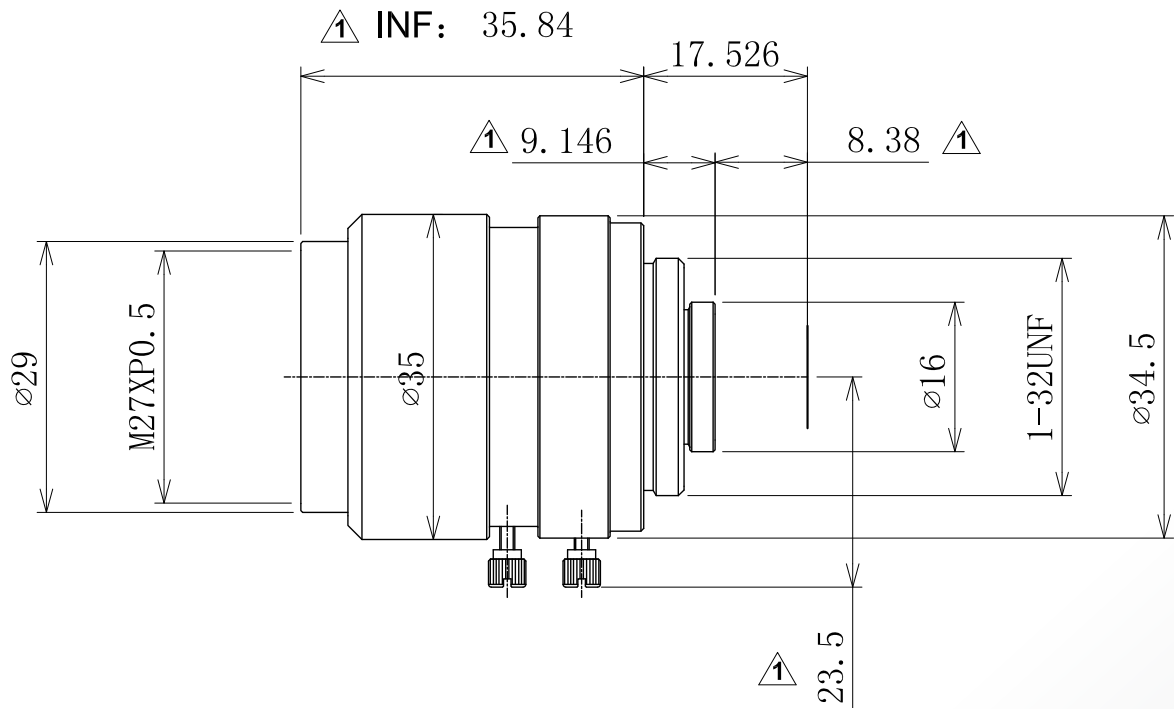


Lensagon C3M2518V2



The C-Mount lens Lensagon C3M2518V2 is suitable for common sensors up to 3 megapixel with an image format of 2/3 inch. It is characterized by a particularly high light intensity.

Technical Data

| | |
|---------------|-------------------|
| Mount | C-Mount |
| Sensor | 2/3 inch |
| Focal Length | 25 mm |
| Aperture | 1.8 |
| MOD | 0.3 m |
| Back Focal | 9.46 mm |
| Angle of View | D:23° H:19° V:14° |
| Megapixel | 3 MP |
| IR Cut Filter | No |
| TV Distortion | -0.25 % |
| Image Circle | 12 mm |
| Weight | 85.3 g |
| Iris | manual |
| Focus | manual |
| Typ | Standard |



Light Sensitive



3 Megapixel