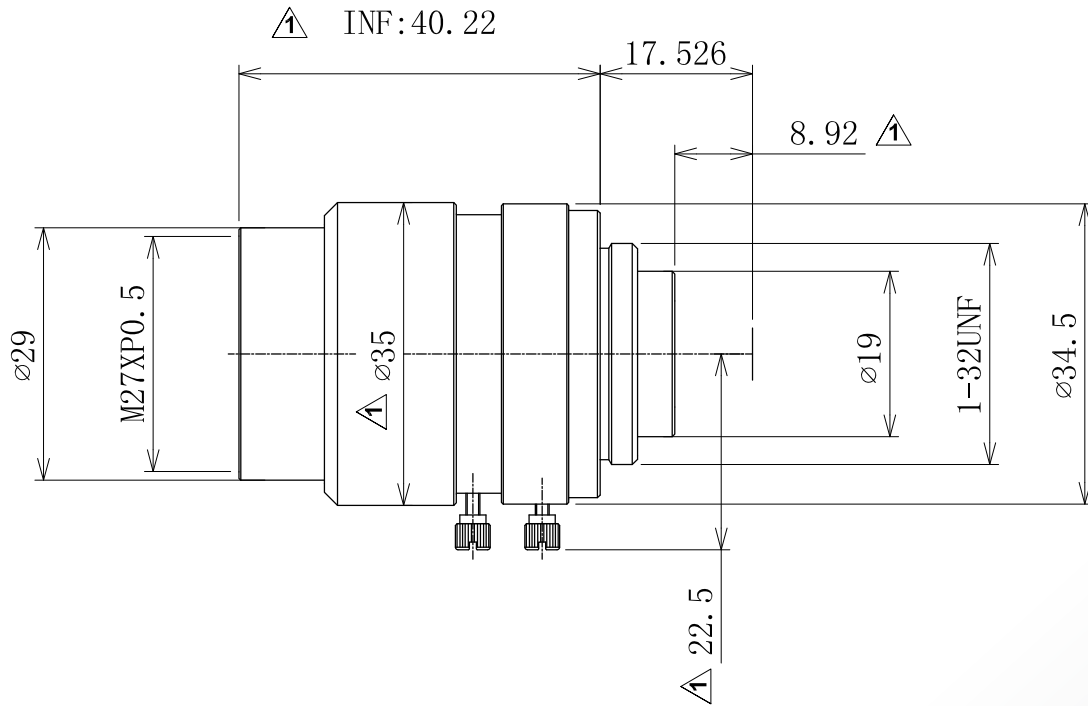


Lensagon C3M1616V2



The C-Mount lens Lensagon C3M1616V2 is suitable for common sensors up to 3 megapixel with an image format of 2/3 inch. It is characterized by a particularly high light intensity.

Technical Data

Mount	C-Mount
Sensor	2/3 inch
Focal Length	16 mm
Aperture	1.6
MOD	0.2 m
Back Focal	10.07 mm
Angle of View	D:37° H:29.5° V:22.6°
Megapixel	3 MP
IR Cut Filter	No
TV Distortion	-0.5 %
Image Circle	16 mm
Weight	106.7 g
Iris	manual
Focus	manual



Light Sensitive



3 Megapixel