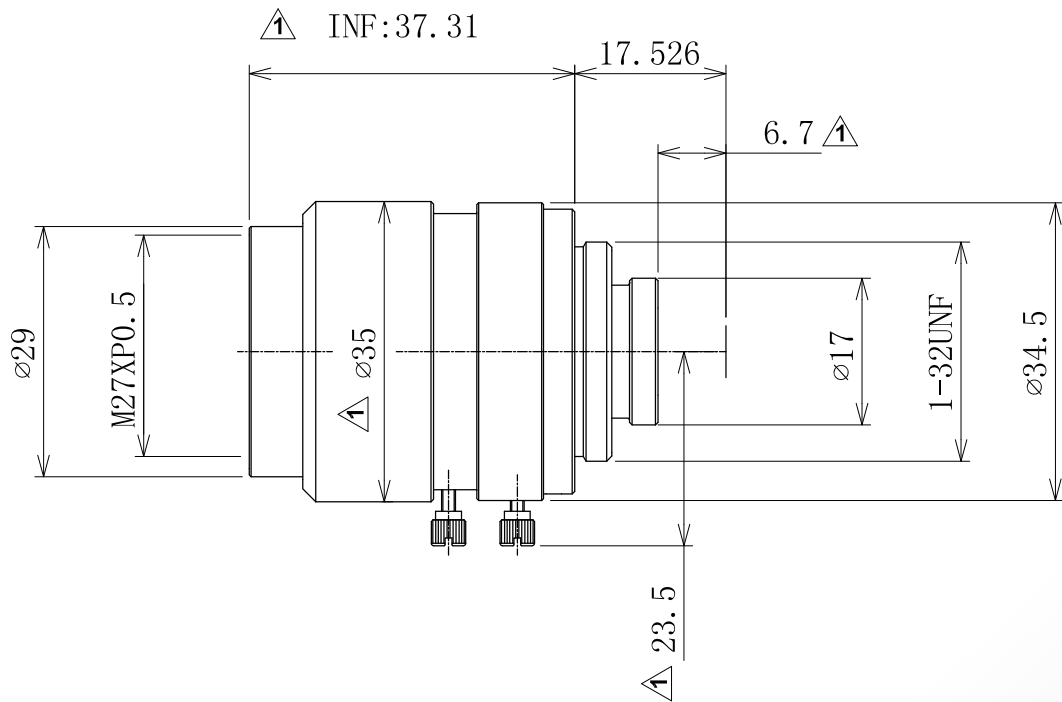


# Lensagon C3M1216V2



The C-Mount lens Lensagon C3M1216V2 is suitable for common sensors up to 3 megapixel with an image format of 2/3 inch. It is characterized by a particularly high light intensity.

## Technical Data

Mount	C-Mount
Sensor	2/3 inch
Focal Length	12 mm
Aperture	1.6
MOD	0.1 m
Back Focal	8.06 mm
Angle of View	D:48° H:39° V:30°
Megapixel	3 MP
IR Cut Filter	No
TV Distortion	-0.21 %
Image Circle	11 mm
Weight	100.5 g
Iris	manual
Focus	manual



Light Sensitive



3 Megapixel