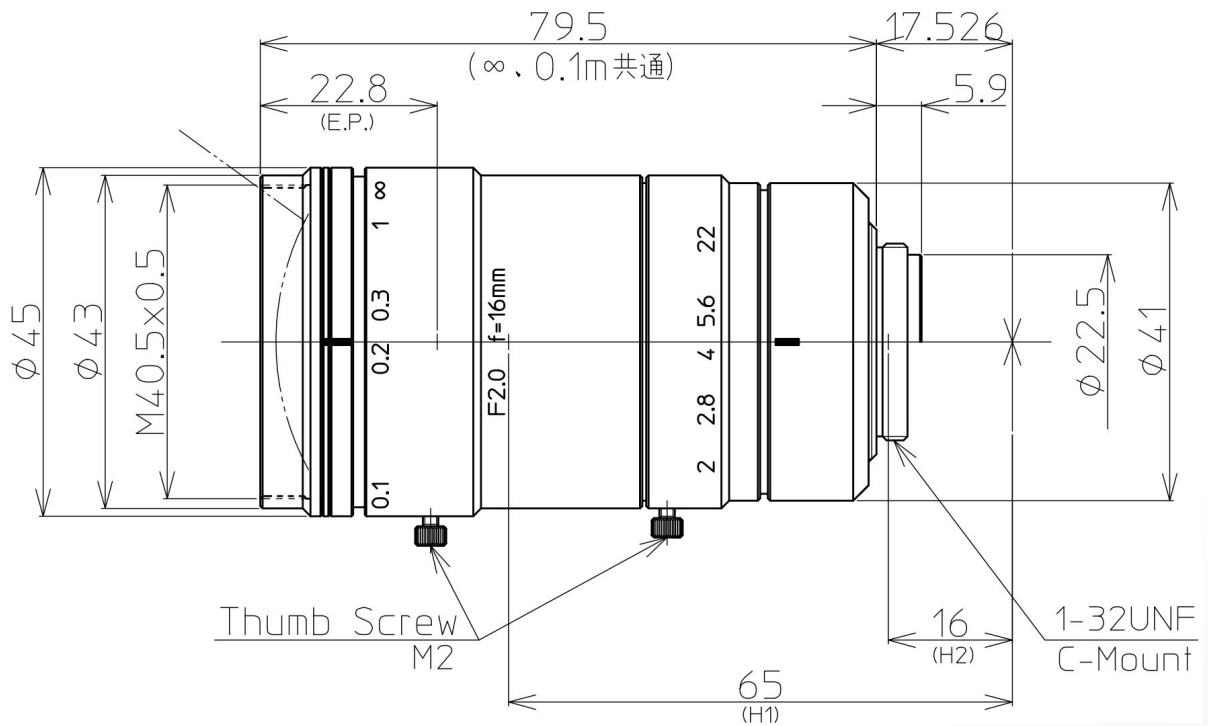


C10M1620S43



The C-Mount lens Lensagon C10M1620S43 is suitable for current sensors up to 10 megapixel with an image format of 4/3 inch. It is characterized by a particularly high light intensity.

Technical Data

Mount	C-Mount
Sensor	4/3 inch
Focal Length	16 mm
Aperture	2
MOD	0.1 m
Back Focal	13 mm
Angle of View	D:72° H:60.6° V:47.2°
Megapixel	10 MP
IR Cut Filter	No
TV Distortion	0.02 %
Image Circle	23 mm
Weight	250 g
Iris	manual-lock
Focus	manual-lock
Filter	M40.5 x P=0.5
Typ	Standard



Light Sensitive



10 Megapixel