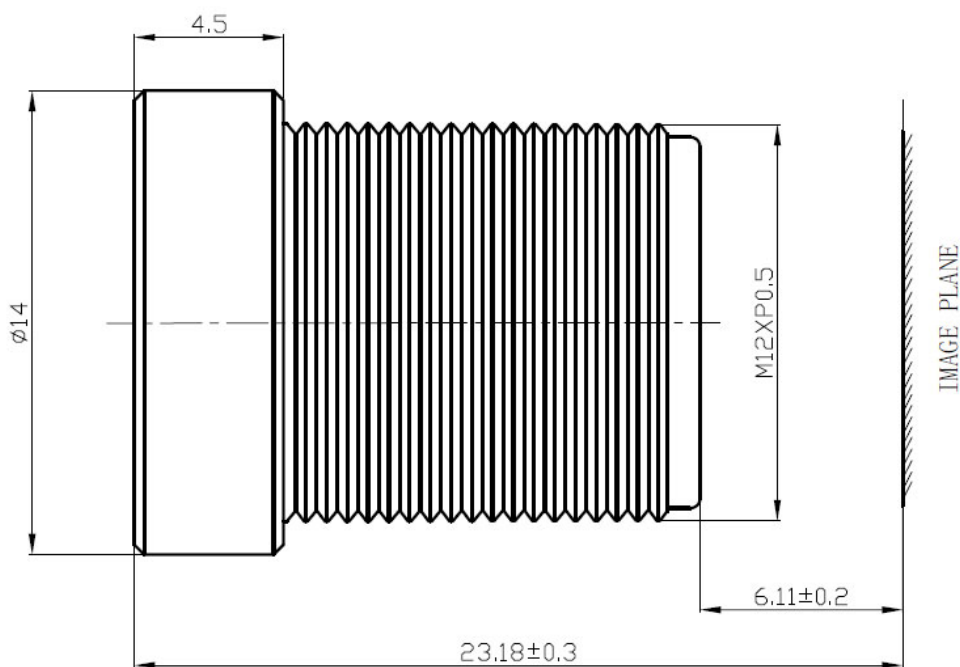


Lensagon BT6020DNC



The S-Mount lens Lensagon BT6020DNC is suitable for common sensors up to 1 megapixel with an image format of 1/3 inch. It is characterized by a particularly high light intensity.

Technical Data

Mount	S-Mount
Sensor	1/3 inch
Focal Length	6 mm
Aperture	2
MOD	0.3 m
Back Focal	8.27 mm
Angle of View	D:58.4° H:46.2° V:34.5°
Megapixel	1-2 MP
IR Cut Filter	Yes
Distortion	-8.6 %
Iris	fixed
Focus	fixed
Typ	Standard



Light Sensitive



1 Megapixel

