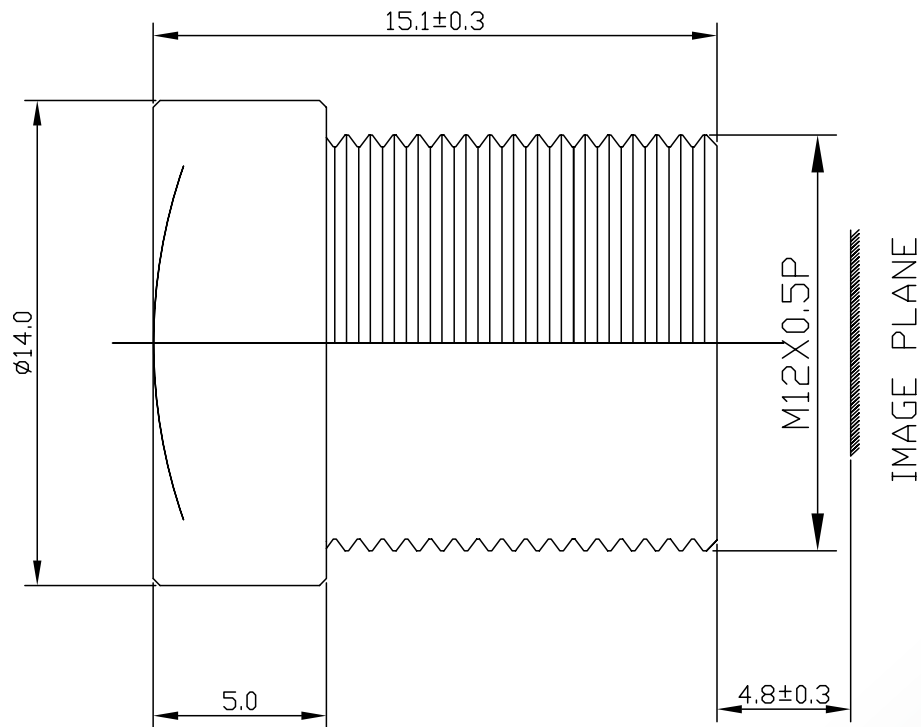


# Lensagon BT2920



The S-Mount lens Lensagon BT2920 is suitable for sensors below 1 megapixel with an image format of 1/4 inch. It is characterized by a particularly high light intensity.

## Technical Data

Mount	S-Mount
Sensor	1/4 inch
Focal Length	2.9 mm
Aperture	2
MOD	0.2 m
Back Focal	5.02 mm
Angle of View	D:95° H:73.3° V:55.2°
IR Cut Filter	No
Optical Distortion	-29 %
Image Circle	6.4 mm
Weight	4.8 g
Iris	fixed
Focus	fixed
Typ	Standard



Light Sensitive