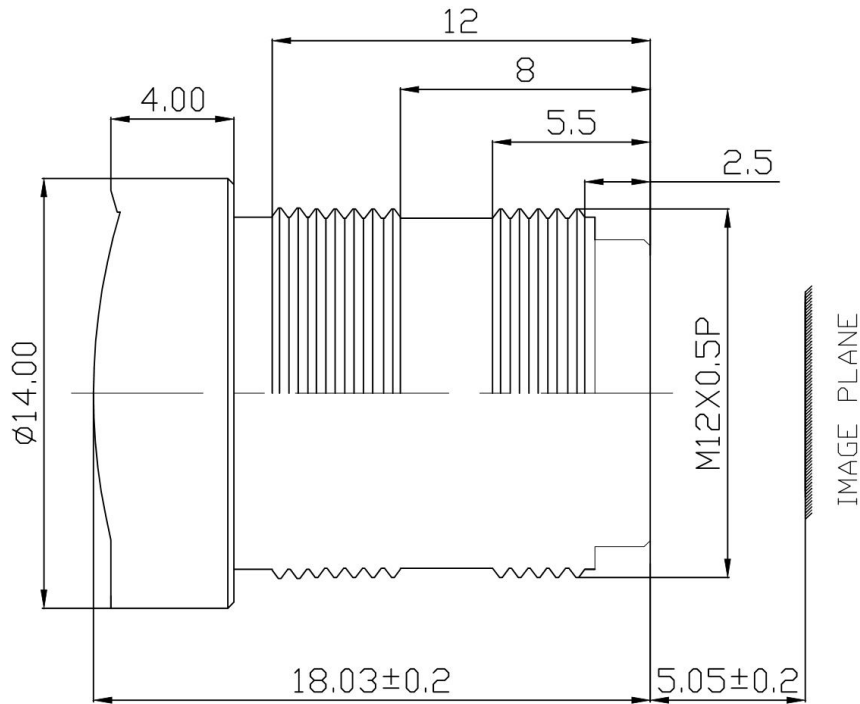


Lensagon BT2520



The S-Mount lens Lensagon BT2520 is suitable for sensors below 1 megapixel with an image format of 1/3 inch. It is characterized by a particularly high light intensity.

Technical Data

Mount	S-Mount
Sensor	1/3 inch
Focal Length	2.5 mm
Aperture	2
MOD	0.2 m
Back Focal	5.18 mm
Angle of View	D:140° H:111.8° V:83°
IR Cut Filter	No
Optical Distortion	-53 %
Weight	5.4 g
Iris	fixed
Focus	fixed
Typ	Standard



Light Sensitive

