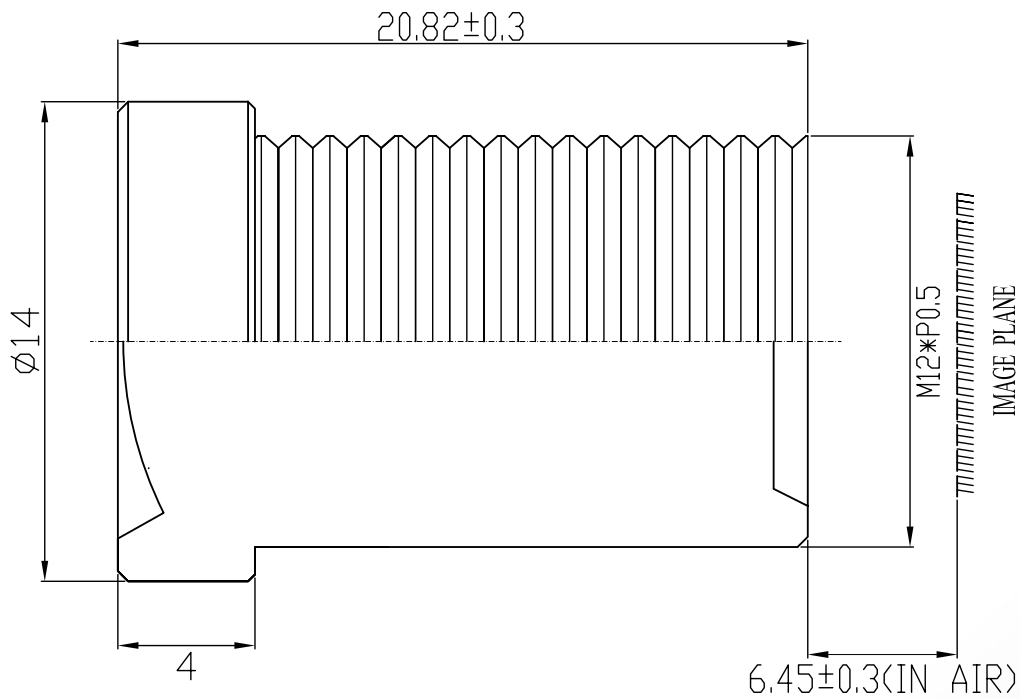


BT25020S12C



The S-Mount lens Lensagon BT25020S12C is suitable for common sensors up to 2.00 megapixel with an image format of 1/2 inch.

Technical Data	
Mount	S-Mount
Sensor	1/2 inch
Focal Length	25.00 mm
Aperture	2.50
MOD	0.20 m
Back Focal	8.29 mm
Angle of View	D:18.63° H:14.80° V:11.10°
Megapixel	2.00 MP
IR Correction	No
IR Cut Filter	Yes
Optical Distortion	2.00 %
Image Circle	8.00 mm
Weight	5.80 g
Iris	fixed
Focus	fixed
Compatibel	7812



2 Megapixel