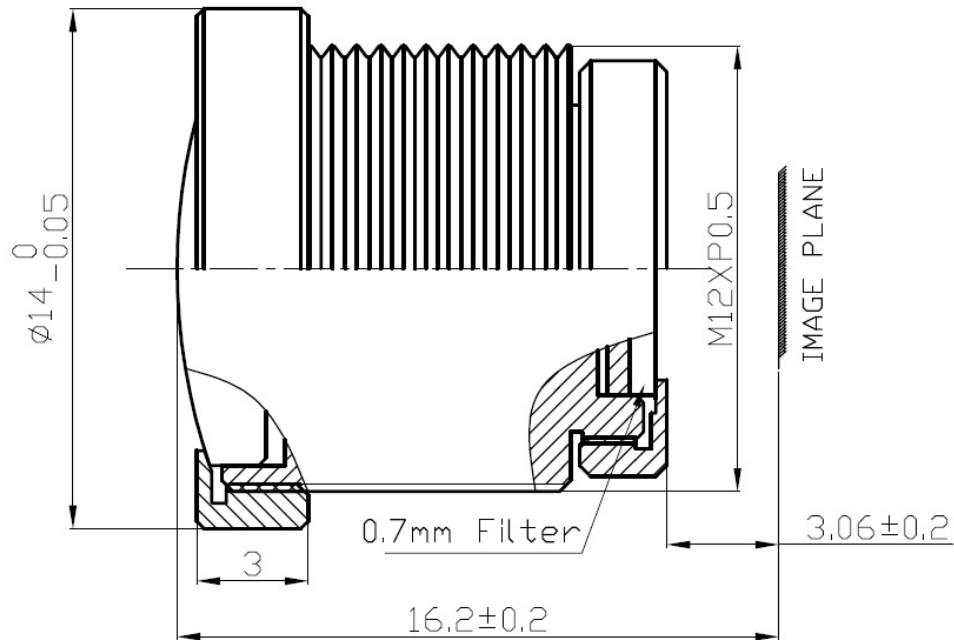


Lensagon BT1922C



The S-Mount lens Lensagon BT1922C is suitable for sensors below 1 megapixel with an image format of 1/4 inch.

Technical Data

Mount	S-Mount
Sensor	1/4 inch
Focal Length	1.95 mm
Aperture	2.2
MOD	0.05 m
Back Focal	4.7 mm
Angle of View	D:156° H:120° V:85°
IR Cut Filter	Yes
Distortion	-62 %
Weight	4 g
Iris	fixed
Focus	fixed
Typ	Standard

