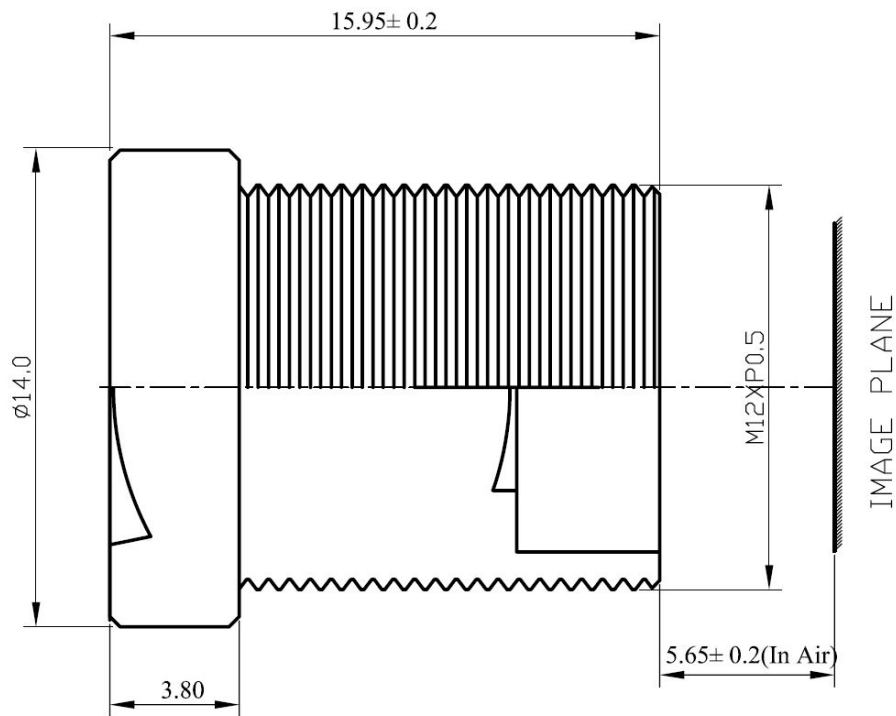


Lensagon BT16020N



The S-Mount lens Lensagon BT16020N is suitable for sensors below 1 megapixel with an image format of 1/3 inch. It is characterized by a particularly high light intensity.

Technical Data

Mount	S-Mount
Sensor	1/3 inch
Focal Length	16 mm
Aperture	2
MOD	0.4 m
Back Focal	9.98 mm
Angle of View	D:22° H:° V:°
IR Correction	Yes
Optical Distortion	0.3 %
Iris	fixed
Focus	fixed
Typ	Standard



Light Sensitive

