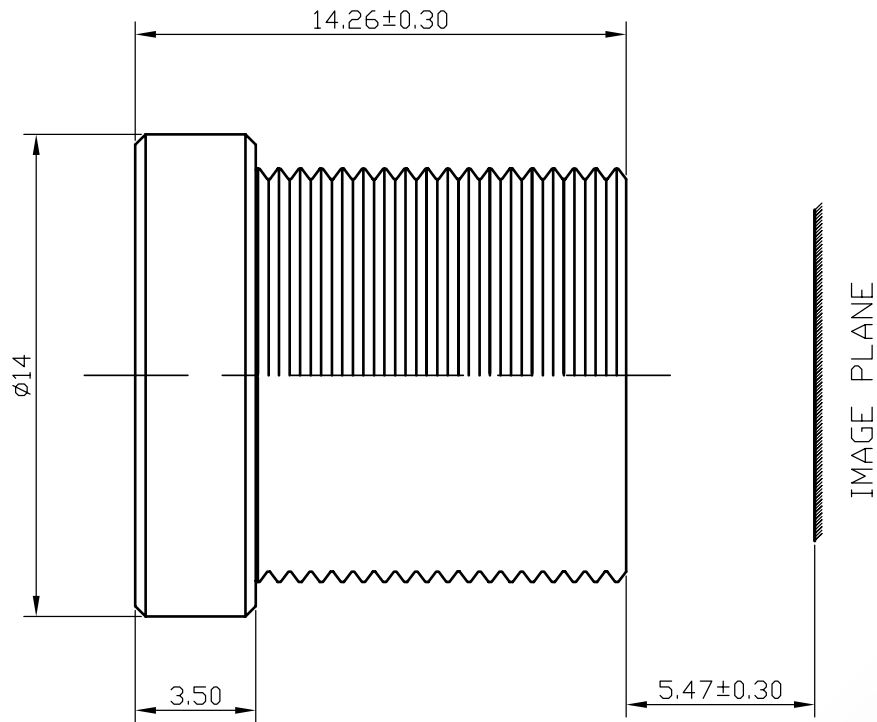


Lensagon BT12020



The S-Mount lens Lensagon BT12020 is suitable for common sensors up to 1 megapixel with an image format of 1/3 inch.

Technical Data

Mount	S-Mount
Sensor	1/3 inch
Focal Length	12 mm
Aperture	2.5
MOD	0.4 m
Back Focal	8.97 mm
Angle of View	D:29° H:24° V:18°
Megapixel	1-2 MP
IR Cut Filter	No
Distortion	-0.8 %
Weight	3 g
Iris	fixed
Focus	fixed
Typ	Standard



1 Megapixel