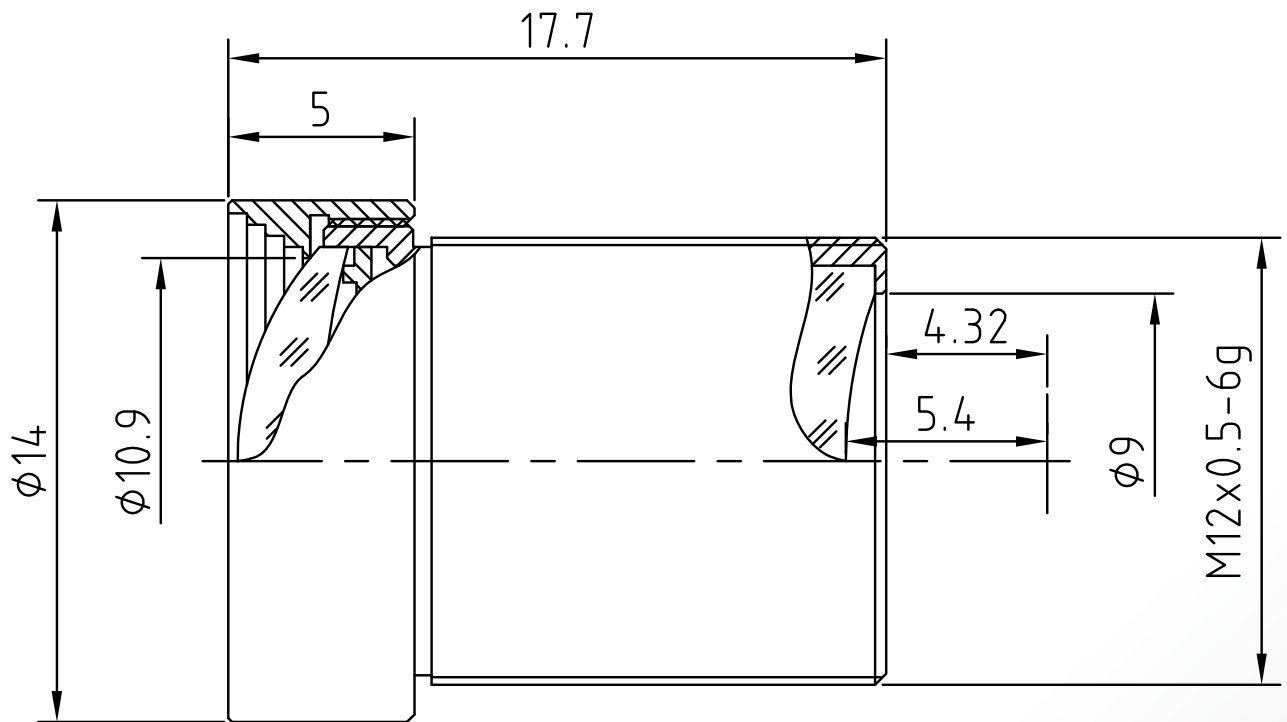


BSM8016S12



The S-Mount lens Lensagon BSM8016S12 is suitable for sensors below 1 megapixel with an image format of 1/2 inch. It is characterized by a particularly high light intensity. Chief Ray Angle: 3,7°

Technical Data

Mount	S-Mount
Sensor	1/2 inch
Focal Length	8 mm
Aperture	1.9
MOD	0.2 m
Back Focal	5.4 mm
Angle of View	D:62° H:48° V:35°
IR Correction	Yes
Optical Distortion	-12 %
Weight	5.4 g
Iris	fixed
Focus	fixed
Typ	Standard



Light Sensitive

