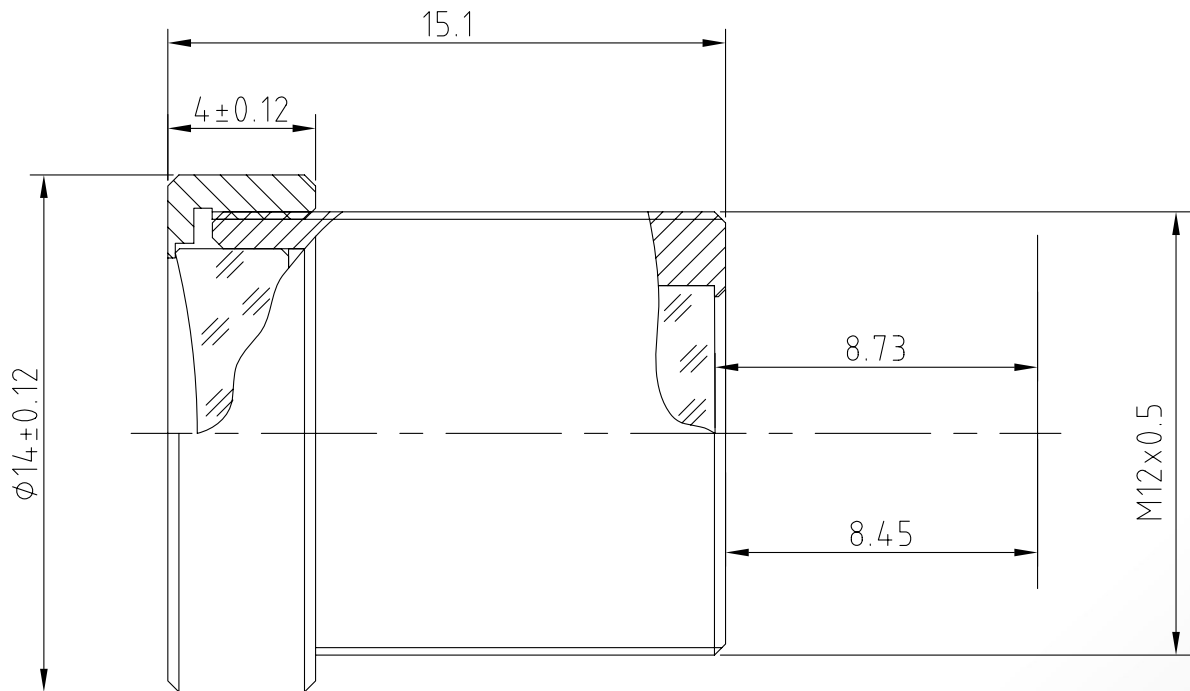


BSM6016S12



The S-Mount lens Lensagon BSM6016S12 is suitable for sensors below 1 megapixel with an image format of 1/2 inch. It is characterized by a particularly high light intensity.

Technical Data

Mount	S-Mount
Sensor	1/2 inch
Focal Length	6.00 mm
Aperture	1.80
MOD	0.20 m
Back Focal	8.73 mm
Angle of View	D:88.00° H:65.00° V:46.00°
IR Correction	Yes
Weight	4.90 g
Iris	fixed
Focus	fixed
Chief ray angle	14.68 °
Compatibel	7812



Light Sensitive

