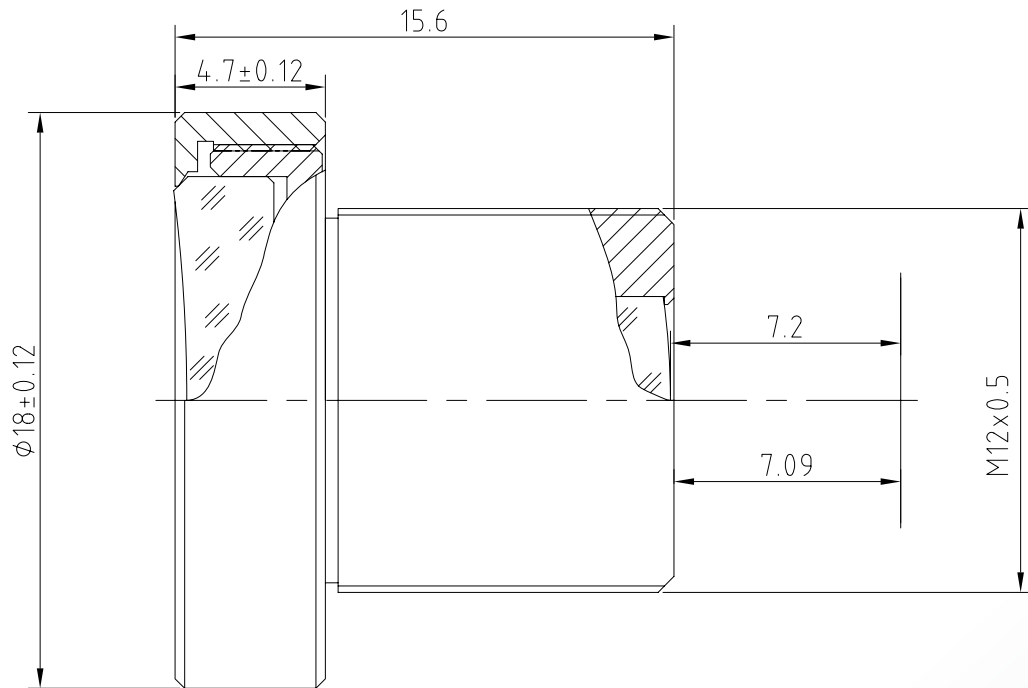


BSM4016S12



The S-Mount lens Lensagon BSM4016S12 is suitable for sensors below 1 megapixel with an image format of 1/2 inch. It is characterized by a particularly high light intensity.

Technical Data

Mount	S-Mount
Sensor	1/2 inch
Focal Length	4 mm
Aperture	1.9
MOD	0.2 m
Back Focal	7.2 mm
Angle of View	D:146° H:96° V:68°
IR Correction	Yes
Weight	6 g
Iris	fixed
Focus	fixed
Chief ray angle	16.2 °
Typ	Standard



Light Sensitive

