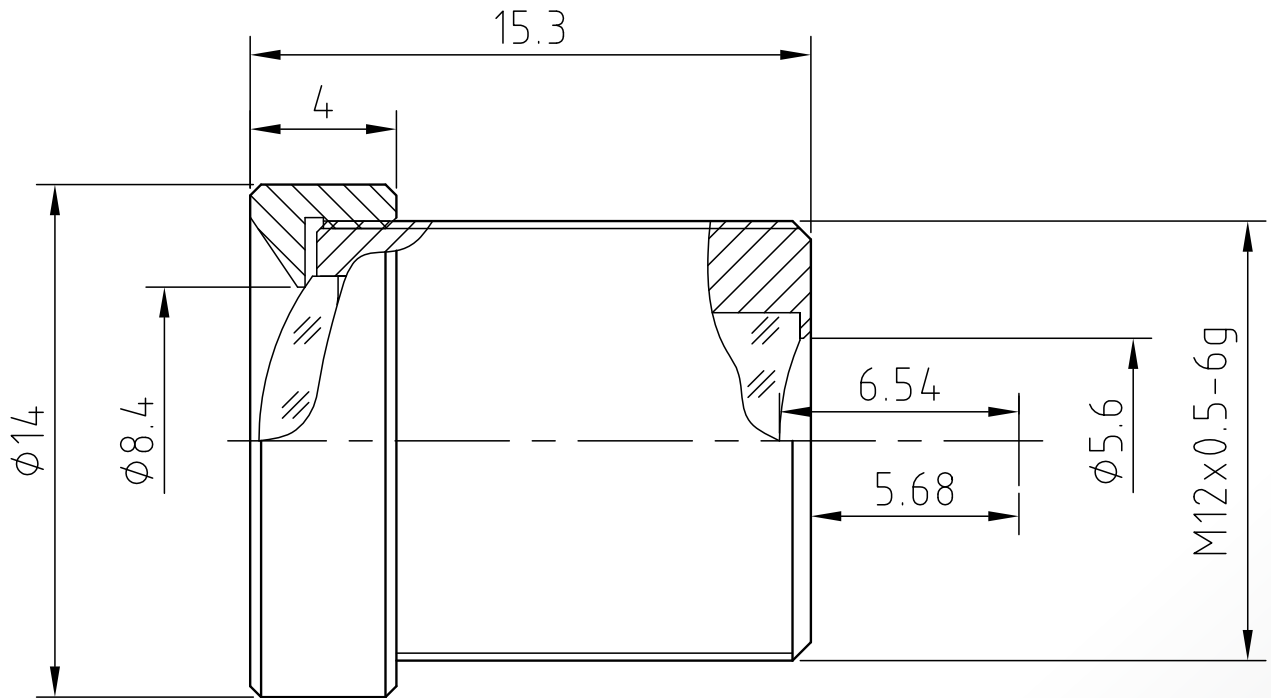


BSM12016S12



The S-Mount lens Lensagon BSM12016S12 is suitable for sensors below 1 megapixel with an image format of 1/2 inch. It is characterized by a particularly high light intensity. Chief Ray Angle: 9,8

Technical Data

Mount	S-Mount
Sensor	1/2 inch
Focal Length	12 mm
Aperture	2
MOD	0.2 m
Back Focal	6.54 mm
Angle of View	D:38.6° H:31° V:23°
IR Correction	Yes
Weight	5.1 g
Iris	fixed
Focus	fixed
Typ	Standard



Light Sensitive

