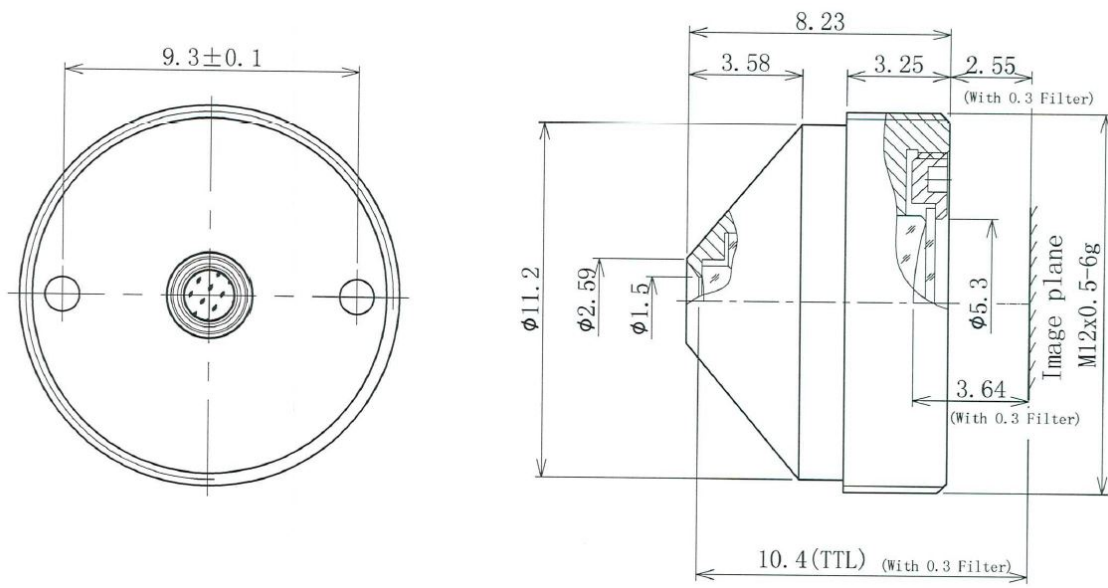


Lensagon BPM3725C



The S-Mount lens Lensagon BPM3725C is suitable for sensors below 1 megapixel with an image format of 1/3 inch.

Technical Data

Mount	S-Mount
Sensor	1/3 inch
Focal Length	3.7 mm
Aperture	2.5
MOD	0.2 m
Back Focal	3.64 mm
Angle of View	D:106° H:77° V:55°
IR Correction	no
IR Cut Filter	Yes
TV Distortion	-19.8 %
Iris	fixed
Focus	fixed
Chief ray angle	19.6 °
Typ	Standard

