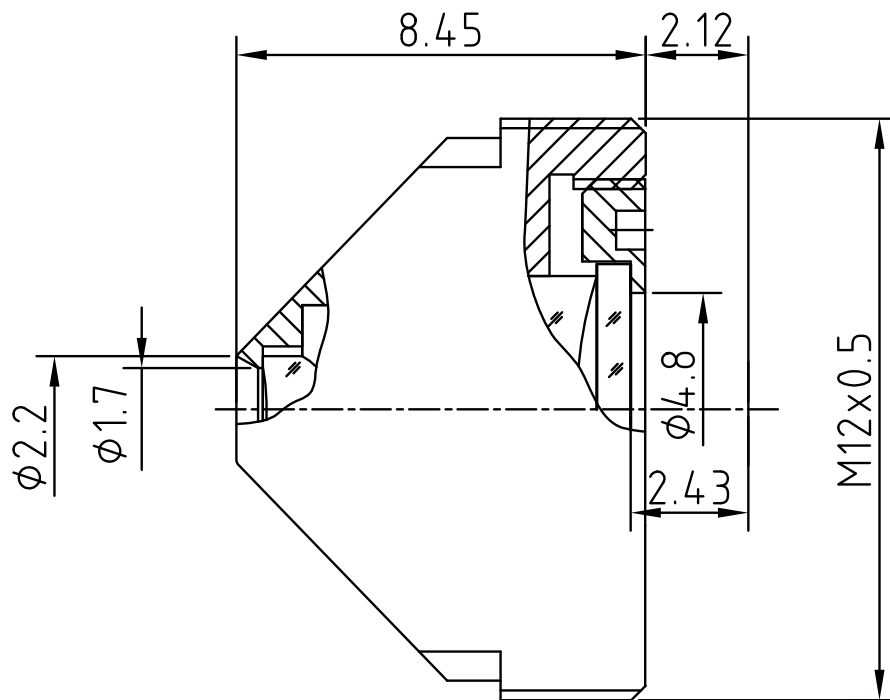


Lensagon BPM3718C



The S-Mount lens Lensagon BPM3718C is suitable for common sensors up to 1 megapixel with an image format of 1/3 inch. It is characterized by a particularly high light intensity.

Technical Data

| | |
|---------------|------------------------|
| Mount | S-Mount |
| Sensor | 1/3 inch |
| Focal Length | 3.7 mm |
| Aperture | 1.8 |
| MOD | 0.1 m |
| Back Focal | 2.43 mm |
| Angle of View | D:104° H:77.5° V:55.5° |
| Megapixel | 1-2 MP |
| IR Cut Filter | Yes |
| Weight | 2 g |
| Iris | fixed |
| Focus | fixed |
| Typ | Pinhole |



Light Sensitive



1 Megapixel

