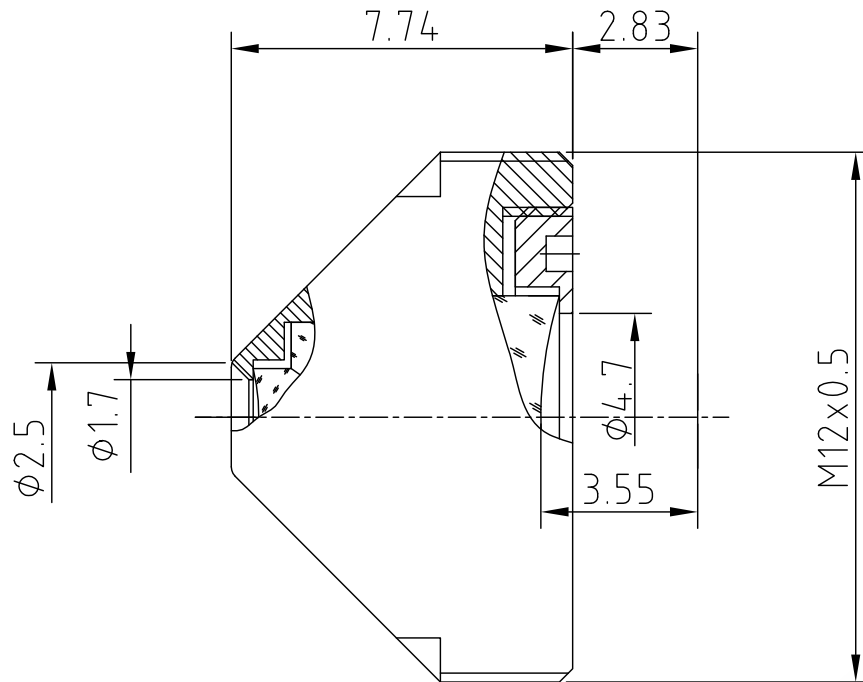


Lensagon BPM3718



The S-Mount lens Lensagon BPM3718 is suitable for common sensors up to 1 megapixel with an image format of 1/3 inch. It is characterized by a particularly high light intensity.

Technical Data

Mount	S-Mount
Sensor	1/3 inch
Focal Length	3.7 mm
Aperture	1.8
MOD	0.1 m
Back Focal	3.55 mm
Angle of View	D:104° H:77.5° V:55.5°
Megapixel	1-2 MP
IR Correction	Yes
Weight	2 g
Iris	fixed
Focus	fixed
Typ	Pinhole



Light Sensitive



Megapixel