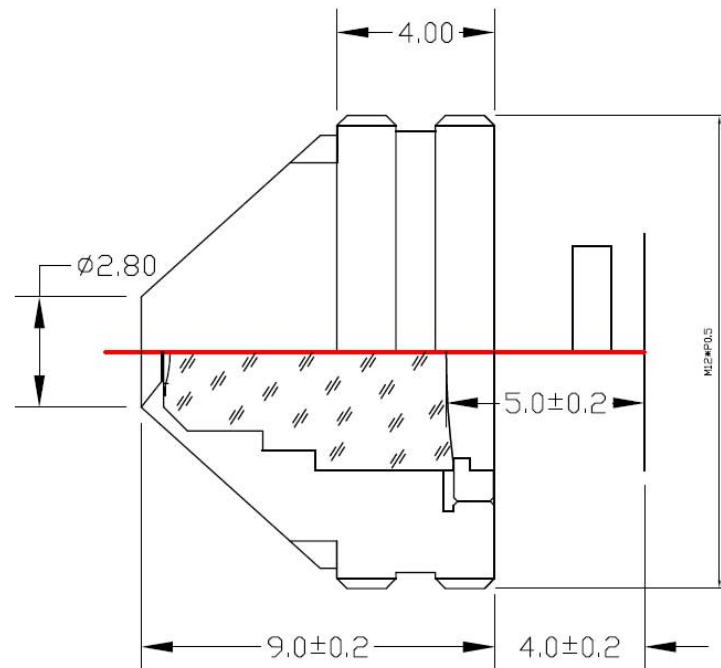


BP3M3728S127



The S-Mount lens Lensagon BP3M3728S127 is suitable for common sensors up to 3 megapixel with an image format of 1/2.7 inch.

Technical Data

Mount	S-Mount
Sensor	1/2.7 inch
Focal Length	3.7 mm
Aperture	2.8
MOD	0.3 m
Back Focal	5 mm
Angle of View	D:90° H:66.6° V:48°
Megapixel	3 MP
IR Cut Filter	No
Weight	1.8 g
Iris	fixed
Focus	fixed
Typ	Pinhole

3 Megapixel

